

Parts List

**Panasonic**

File No.

Air Conditioner

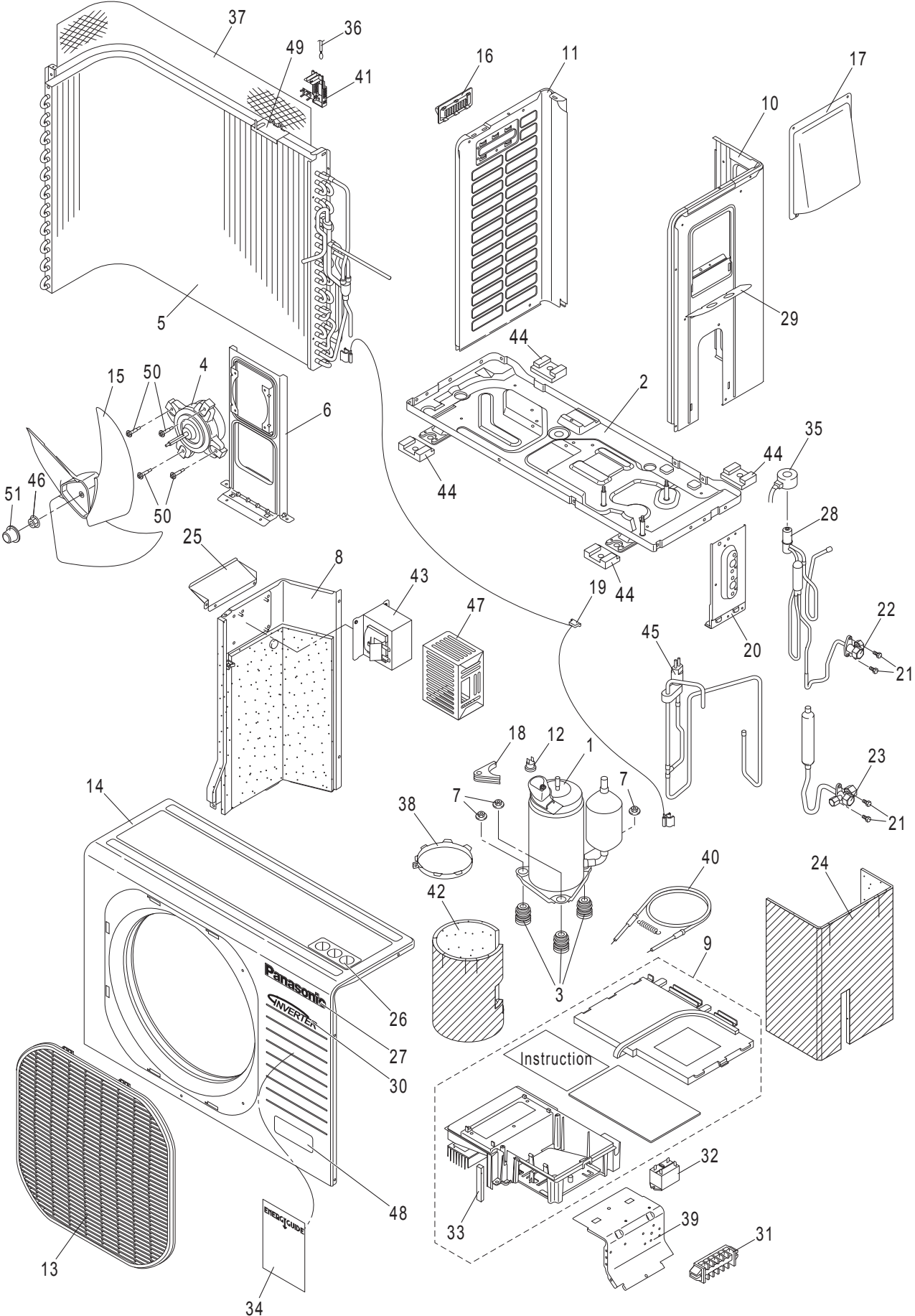
---

REFERENCE No.PL 706900

# CONTENTS

	Model No.	Prod.Code	Volt-Phase-Hertz	Country of Origin	Page
OUTDOOR UNIT	CU-KS12NK1A	1 852 361 16	115-1-60	SSA	1
	CU-KE12NK1	1 852 361 17	115-1-60	SSA	4
	CU-KS18NKU	1 852 361 18	230-208-1-60	SSA	7
	CU-KS18NKUA	1 852 361 19	230-208-1-60	SSA	10
	CU-KE18NKU	1 852 361 20	230-208-1-60	SSA	13
	CU-KS24NKU	1 852 361 21	230-208-1-60	DSK	16
	CU-KS24NKUA	1 852 361 22	230-208-1-60	DSK	19
INDOOR UNIT	CU-KE24NKU	1 852 361 23	230-208-1-60	DSK	22
	CS-KS18NKU	1 852 360 90	230-208-1-60	SSA	25
	CS-KS24NKU	1 852 360 91	230-208-1-60	SSA	28
	CS-KE18NKU	1 852 360 92	230-208-1-60	SSA	31
	CS-KE24NKU	1 852 360 93	230-208-1-60	SSA	34

CU-KS12NK1A  
OUTDOOR UNIT



## ATTENTION!

To ensure correct parts supply, please let us know the following,

Part No. when you make service parts order:

1.Part No. 2.Description 3.Q'ty 4.Volts-Hz-Ph 5.Product Mode No.

CU-KS12NK1A  
OUTDOOR UNIT

KeyNo.	Part No.	Description	Model Number	Q'ty	Reference No.	
*	1	CV6231907873	Comp Sub Ass'y	G4C090LU1ER	1	8520452633800
	2	CV6233173405	Bottom Plate Ass'y		1	8520220279811
	3	CV6231637497	Cushion Rubber		3	8522239023100
*	4	CV6233189116	Fan Motor	SIC-67FV-F461SX	1	1FA4M4A022800
	5	CV6231908139	Heat Exch Cond Ass'y		1	8520411921300
	6	CV6233173092	Mounting Plate, Fan Motor		1	8522235429921
	7	CV6231635646	Nut Special		3	8522222610301
	8	CV6233189178	Partition Plate Ass'y		1	8520220952800
*	9	CV6233193489	Controller Assy(Including PCB)	CB-CU-KS12NK1A-SRV	1	8549953605976
	10	CV6233173139	Side Panel		1	8522111440800
	11	CV6233173122	Side Panel		1	8522111439402
*	12	CV6231907637	Thermostat	CS-7L115	1	4233960069
	13	CV6231907910	Guard		1	8522132122611
	14	CV6233173115	Cabinet		1	8522111230702
	15	CV6231907897	Propeller Fan		1	8522250219411
	16	CV6231907880	Handle		1	8522230317711
	17	CV6233173160	Cover Ass'y		1	8520230924810
	18	CV6231719520	Mounting Rubber, Tube		1	8522431311000
*	19	CV6231811392	Thermistor	DTN-TKS274Y	1	1FA4V2E025700
	20	CV6233173153	Support Valve		1	8522222238122
	21	CV6233147437	S Tite Screw		4	3920461601
	22	CV6233173429	Valve Ass'y 1/4"		1	8520451545100
	23	CV6231782579	Valve Ass'y 3/8"		1	8520451826200
	24	CV6231777193	Insulation		1	8522247668100
	25	CV6233189192	Mounting Plate		1	8522238532501
	26	CV6233188911	Caution Label		1	8546575944300
	27	CV6233189185	Badge		1	8542135433403
	28	CV6231782593	Elec Exp Valve Ass'y	CPF-18D02	1	8520452416900
	29	CV6233173184	Conduit Plate		1	8522131944810
	30	CV6233174174	Badge		1	8542135433301
	31	CV6230965041	Terminal Base	JTU20-6U-SA0528	1	4237956228
*	32	CV6231907965	Power Relay	EL100/120A1-F(M)	1	1FA4S2A020600
	33	CV6231908047	Packing		1	8522238098010
	34	CV6233189284	Ftc Tag		1	8526445924400
*	35	CV6231782692	Magnetic Coil	YPF-Y018F	1	1FA4L8A033100
*	36	CV6231719421	Thermistor	DTN-TKS269B	1	1FA4V2E015700
	37	CV6231782739	Guard		1	8522132123200
	38	CV6233173207	Mounting Plate		1	8522238517900
	39	CV6231908009	Mounting Plate		1	8522238515301
*	40	CV6231908221	Heater K		1	8FA0525502800

NOTE: Metal and plastic parts will be supplied basically with necessary heat insulation pads or packing. Each key number with an asterisk (\*) means the recommended service parts.

## ATTENTION!

To ensure correct parts supply, please let us know the following,

Part No. when you make service parts order:

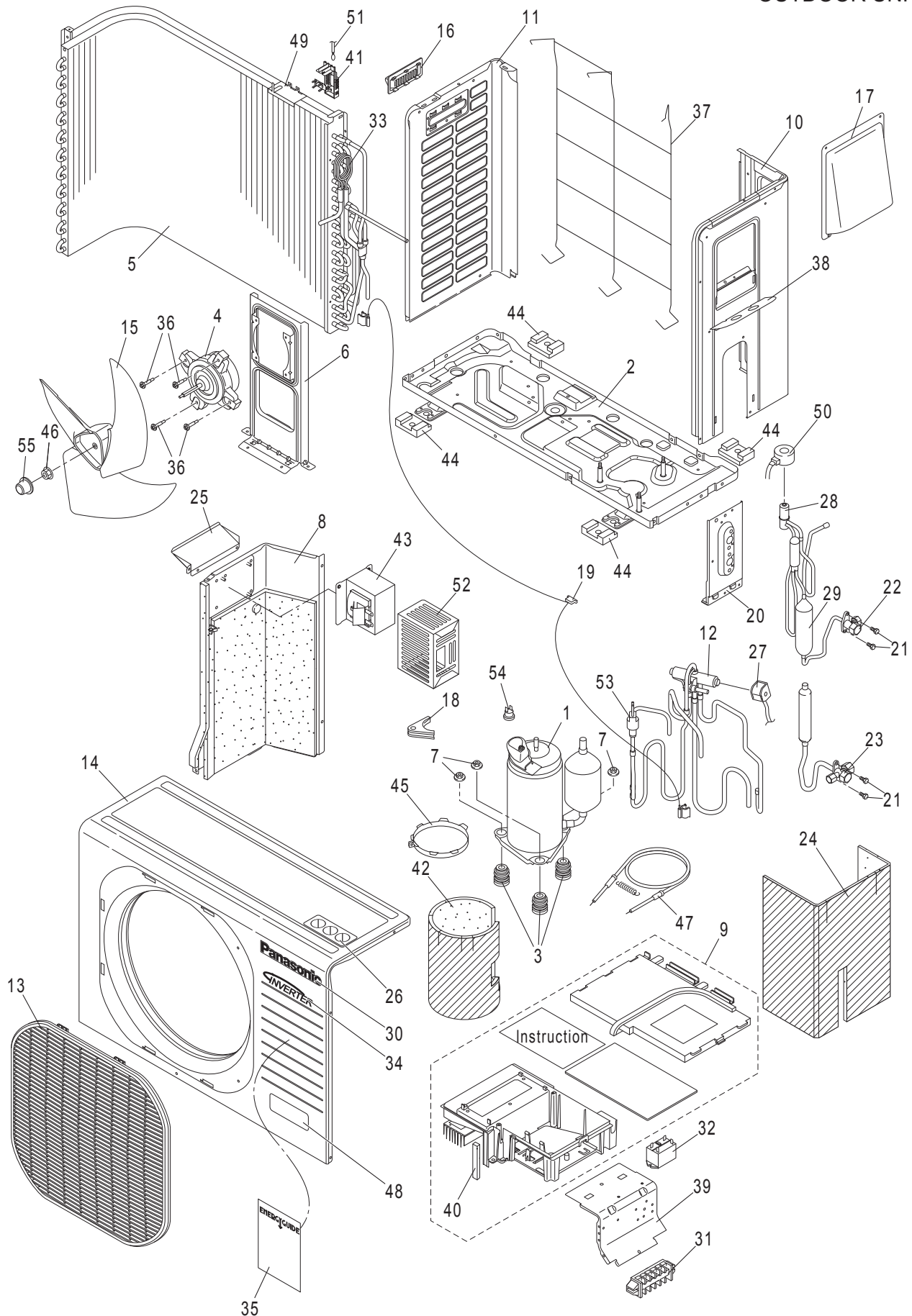
1.Part No. 2.Description 3.Q'ty 4.Volts-Hz-Ph 5.Product Mode No.

CU-KS12NK1A  
OUTDOOR UNIT

KeyNo.	Part No.	Description	Model Number	Q'ty	Reference No.	
41	CV6231719278	Mounting Thermostat		1	8522530324501	
42	CV6233173177	Insulation		1	8522247673400	
*	43	CV6231556378	Reactor	R502ADS-T	1	1FA4L5C002900
	44	CV6230516519	Cushion Rubber		4	8522239019200
*	45	CV6231958127	Pressure Switch	ACB-1UB24W	1	1FA4S1H000400
	46	CV6230974500	Frang Nut		1	3927706021
	47	CV6233173191	Cover, Elec. Component Box		1	8522531549011
	48	CV6231611497	Label		1	8542135895900
	49	CV6231782708	Mounting Plate		1	8522230997601
	50	CV6233186818	Screw Special		4	8522239623701
	51	CV6233005102	Cap		1	8522235025000

NOTE: Metal and plastic parts will be supplied basically with necessary heat insulation pads or packing. Each key number with an asterisk (\*) means the recommended service parts.

CU-KE12NK1  
OUTDOOR UNIT



## ATTENTION!

To ensure correct parts supply, please let us know the following,

Part No. when you make service parts order:

1.Part No. 2.Description 3.Q'ty 4.Volts-Hz-Ph 5.Product Mode No.

CU-KE12NK1  
OUTDOOR UNIT

KeyNo.	Part No.	Description	Model Number	Q'ty	Reference No.	
*	1	CV6231907873	Comp Sub Ass'y	G4C090LU1ER	1	8520452633800
	2	CV6233173108	Bottom Plate Ass'y		1	8520220278911
	3	CV6231637497	Cushion Rubber		3	8522239023100
*	4	CV6233189116	Fan Motor	SIC-67FV-F461SX	1	1FA4M4A022800
	5	CV6231908238	Heat Exch Cond Ass'y		1	8520411919200
	6	CV6233173092	Mounting Plate, Fan Motor		1	8522235429921
	7	CV6231635646	Nut Special		3	8522222610301
	8	CV6233189178	Partition Plate Ass'y		1	8520220952800
*	9	CV6233193472	Controller Assy(Including PCB)	CB-CU-KE12NK1-SRV	1	8549953605977
	10	CV6233173139	Side Panel		1	8522111440800
	11	CV6233173122	Side Panel		1	8522111439402
*	12	CV6231908184	Solenoid Valve Ass'y	STF-01U1G	1	8520450922700
	13	CV6231907910	Guard		1	8522132122611
	14	CV6233173115	Cabinet		1	8522111230702
	15	CV6231907897	Propeller Fan		1	8522250219411
	16	CV6231907880	Handle		1	8522230317711
	17	CV6233173160	Cover Ass'y		1	8520230924810
	18	CV6231719520	Mounting Rubber, Tube		1	8522431311000
*	19	CV6231811392	Thermistor	DTN-TKS274Y	1	1FA4V2E025700
	20	CV6233173153	Support Valve		1	8522222238122
	21	CV6233147437	S Tite Screw		4	3920461601
	22	CV6231782586	Valve Ass'y 1/4"		1	8520451540200
	23	CV6231782579	Valve Ass'y 3/8"		1	8520451826200
	24	CV6231777193	Insulation		1	8522247668100
	25	CV6233189192	Mounting Plate		1	8522238532501
	26	CV6233188911	Caution Label		1	8546575944300
*	27	CV6231908191	Magnetic Coil	STF-G01	1	1FA4L8A036200
	28	CV6231782593	Elec Exp Valve Ass'y	CPF-18D02	1	8520452416900
	29	CV6231396615	Strainer Ass'y		1	8520450618100
	30	CV6233189185	Badge		1	8542135433403
	31	CV6230965041	Terminal Base	JTU20-6U-SA0528	1	4237956228
*	32	CV6231907965	Power Relay	EL100/120A1-F(M)	1	1FA4S2A020600
	33	CV6231493505	Capillary Tube		2	8522426819000
	34	CV6233174174	Badge		1	8542135433301
	35	CV6233189208	Ftc Tag		1	8526445924900
	36	CV6233186818	Screw Special		4	8522239623701
	37	CV6231908023	Guard Ass'y		1	8520111123701
	38	CV6233173184	Conduit Plate		1	8522131944810
	39	CV6231908009	Mounting Plate		1	8522238515301
	40	CV6231908047	Packing		1	8522238098010

NOTE: Metal and plastic parts will be supplied basically with necessary heat insulation pads or packing. Each key number with an asterisk (\*) means the recommended service parts.

## ATTENTION!

To ensure correct parts supply, please let us know the following,

Part No. when you make service parts order:

1.Part No. 2.Description 3.Q'ty 4.Volts-Hz-Ph 5.Product Mode No.

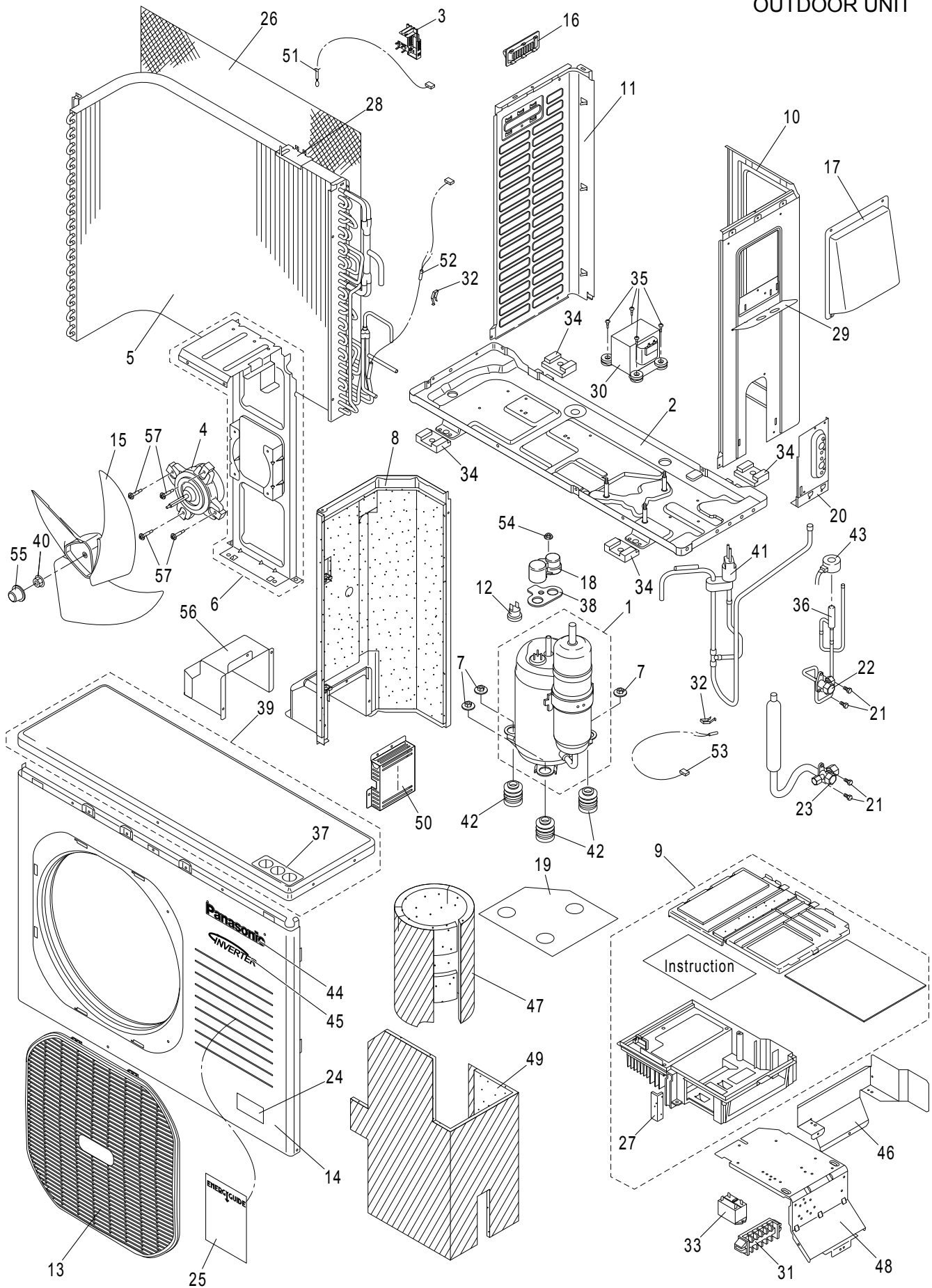
CU-KE12NK1  
OUTDOOR UNIT

KeyNo.	Part No.	Description	Model Number	Q'ty	Reference No.
41	CV6231719278	Mounting Thermostat		1	8522530324501
42	CV6233173177	Insulation		1	8522247673400
* 43	CV6231556378	Solenoid	R502ADS-T	1	1FA4L5C002900
44	CV6230516519	Cushion Rubber		4	8522239019200
45	CV6233173207	Mounting Plate		1	8522238517900
46	CV6230974500	Frang Nut		1	3927706021
* 47	CV6231908221	Heater K		1	8FA0525502800
48	CV6231611497	Label		1	8542135895900
49	CV6231782708	Mounting Plate		1	8522230997601
* 50	CV6231782692	Magnetic Coil	YPF-Y018F	1	1FA4L8A033100
* 51	CV6231719421	Thermistor	DTN-TKS269B	1	1FA4V2E015700
52	CV6233173191	Cover, Elec. Component Box		1	8522531549011
* 53	CV6231958127	Pressure Switch	ACB-1UB24W	1	1FA4S1H000400
* 54	CV6231907637	Thermostat	CS-7L115	1	4233960069
55	CV6233005102	Cap		1	8522235025000

NOTE: Metal and plastic parts will be supplied basically with necessary heat insulation pads or packing. Each key number with an asterisk (\*) means the recommended service parts.



CU-KS18NKU  
OUTDOOR UNIT



## ATTENTION!

To ensure correct parts supply, please let us know the following,

Part No. when you make service parts order:

1.Part No. 2.Description 3.Q'ty 4.Volts-Hz-Ph 5.Product Mode No.

CU-KS18NKU  
OUTDOOR UNIT

KeyNo.	Part No.	Description	Model Number	Q'ty	Reference No.	
*	1	CV6231907392	Compressor Ass'y	C-6RVN93H0M	1	8520451652100
	2	CV6233150109	Bottom Plate Ass'y		1	8520220279902
	3	CV6231719278	Mounting Thermostat		1	8522530324501
*	4	CV6233189116	Fan Motor	SIC-67FV-F461SX	1	1FA4M4A022800
	5	CV6231917155	Heat Exch Cond Ass'y		1	8520411921100
	6	CV6233189109	Mounting Plate Ass'y		1	8520250632400
	7	CV6231635646	Nut Special		3	8522222610301
	8	CV6233189093	Partition Plate Ass'y		1	8520220952900
*	9	CV6233189260	Controller Assy(Including PCB)	CB-CU-KS18NKU-SRV	1	8549953605968
	10	CV6233150130	Side Panel		1	8522111441402
	11	CV6233150123	Side Panel		1	8522111440302
*	12	CV6231907637	Thermostat	CS-7L115	1	4233960069
	13	CV6231917209	Guard		1	8522132124311
	14	CV6233150116	Front Panel		1	8522111824202
	15	CV6231907408	Propeller Fan		1	8522250219801
	16	CV6231917186	Handle		1	8522230317811
	17	CV6233150154	Cover Plate		1	8520230925210
	18	CV6260400765	Cover Terminal		1	8012619413300
	19	CV6231907439	Sheet		1	8522532849900
	20	CV6233150147	Support Valve		1	8522222238201
	21	CV6233147437	S Tite Screw		4	3920461601
	22	CV6231907422	Valve Ass'y 1/4"		1	8520451543300
	23	CV6231845175	Valve Ass'y 1/2"		1	8520452220500
	24	CV6231611497	Label		1	8542135895900
	25	CV6233189277	Ftc Tag		1	8526445924500
	26	CV6233150178	Guard		1	8522132127800
	27	CV6231917292	Packing		1	8522238098210
	28	CV6231854672	Mounting Plate		1	8522238513501
	29	CV6233150161	Conduit Plate		1	8522131945011
*	30	CV6231917902	Reactor	R9020A-TE-COV	1	1FA4L5C013500
	31	CV6230965041	Terminal Base	JTU20-6U-SA0528	1	4237956228
	32	CV6231485876	Mounting Thermostat		2	8522530322401
*	33	CV6231727730	Power Relay	EL200/240A1-F(M)	1	1FA4S2A010000
	34	CV6230516519	Cushion Rubber		4	8522239019200
	35	CV6231638074	Screw Special		4	8522239615401
	36	CV6231859929	Elec Exp Valve Ass'y	UKV-25D46	1	8520452417400
	37	CV6233188911	Caution Label		1	8546575944300
	38	CV6260401021	Gasket Terminal		1	8012530314800
	39	CV6233189147	Top Plate Ass'y		1	8520110326100
	40	CV6230974500	Frange Nut		1	3927706021

NOTE: Metal and plastic parts will be supplied basically with necessary heat insulation pads or packing. Each key number with an asterisk (\*) means the recommended service parts.

## ATTENTION!

To ensure correct parts supply, please let us know the following,

Part No. when you make service parts order:

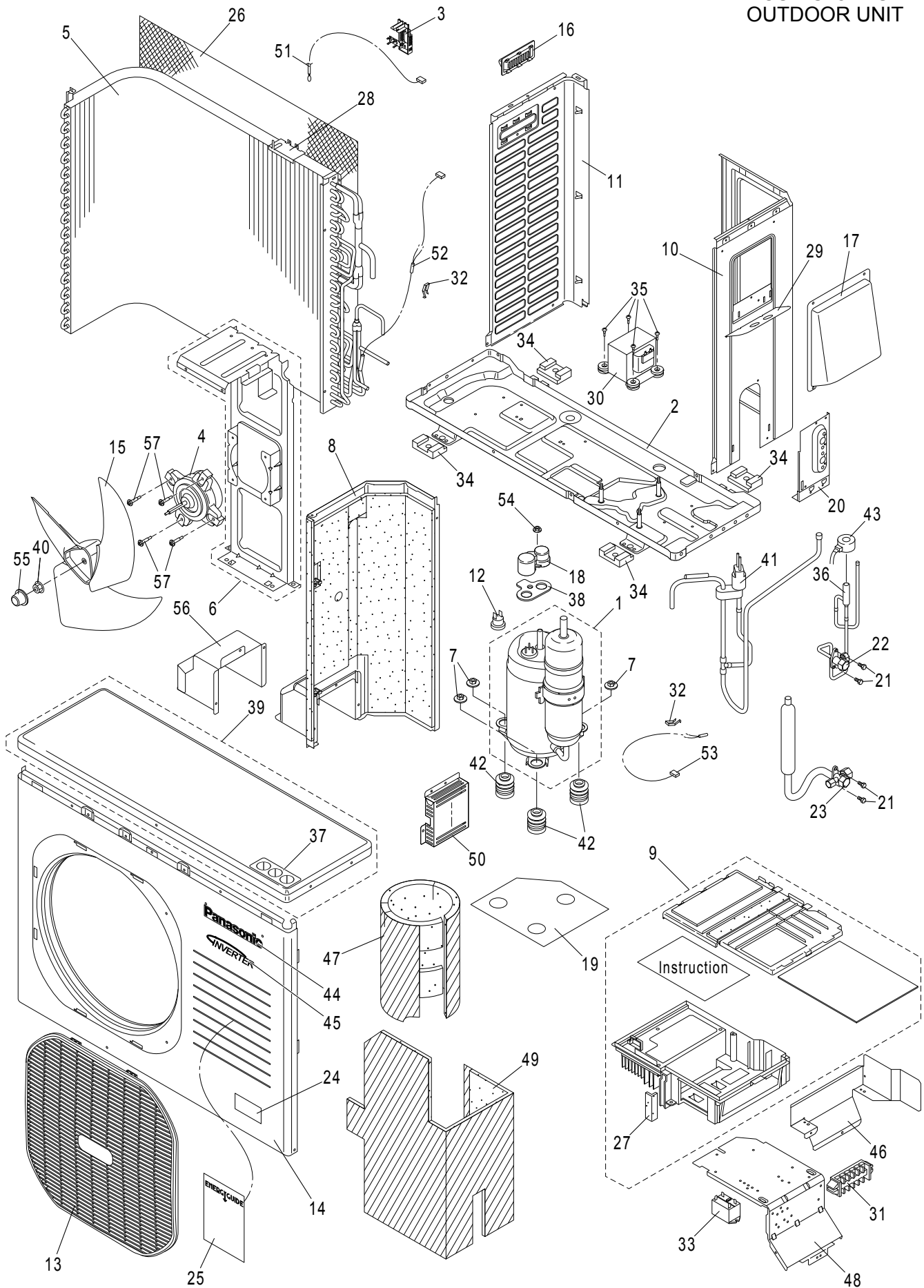
1.Part No. 2.Description 3.Q'ty 4.Volts-Hz-Ph 5.Product Mode No.

CU-KS18NKU  
OUTDOOR UNIT

KeyNo.	Part No.	Description	Model Number	Q'ty	Reference No.
* 41	CV6231958097	Pressure Switch	ACB-1UB42W	1	1FA4S1H008500
42	CV6231771597	Cushion Rubber		3	8522239028800
* 43	CV6231907552	Magnetic Coil	UKV-A014	1	1FA4L8A037900
44	CV6233172071	Badge		1	8542135433401
45	CV6233174174	Badge		1	8542135433301
46	CV6233189154	Cover, Elec. Component Box		1	8522531553701
47	CV6231635721	Insulation		1	8522247655800
48	CV6231917346	Mounting Plate		1	8522238515601
49	CV6231907613	Insulation		1	8522247671600
50	CV6231917421	Cover Plate		1	8522531549101
* 51	CV6231907606	Thermistor Ass'y K	TKS295B	1	8FA0525918700
* 52	CV6231907590	Thermistor Ass'y K	TKS292B	1	8FA0525919000
* 53	CV6231907583	Thermistor Ass'y K	TKS293B	1	8FA0525919100
54	CV6260400888	Nut 5mm		1	8012830510100
55	CV6233005102	Cap		1	8522235025000
56	CV6233189161	Cover		1	8522251535401
57	CV6233186818	Screw Special		4	8522239623701
	CV6233187204	Installation Instructions		1	8526419057600

NOTE: Metal and plastic parts will be supplied basically with necessary heat insulation pads or packing.  
Each key number with an asterisk (\*) means the recommended service parts.

CU-KS18NKUA  
OUTDOOR UNIT



## ATTENTION!

To ensure correct parts supply, please let us know the following,

Part No. when you make service parts order:

1.Part No. 2.Description 3.Q'ty 4.Volts-Hz-Ph 5.Product Mode No.

CU-KS18NKUA  
OUTDOOR UNIT

KeyNo.	Part No.	Description	Model Number	Q'ty	Reference No.	
*	1	CV6231907392	Compressor Ass'y	C-6RVN93H0M	1	8520451652100
	2	CV6233150109	Bottom Plate Ass'y		1	8520220279902
	3	CV6231719278	Mounting Thermostat		1	8522530324501
*	4	CV6233189116	Fan Motor	SIC-67FV-F461SX	1	1FA4M4A022800
	5	CV6231917155	Heat Exch Cond Ass'y		1	8520411921100
	6	CV6233189109	Mounting Plate Ass'y		1	8520250632400
	7	CV6231635646	Nut Special		3	8522222610301
	8	CV6233189093	Partition Plate Ass'y		1	8520220952900
*	9	CV6233189246	Controller Assy(Including PCB)	CB-CU-KS18NKUA-SRV	1	8549953605967
	10	CV6233150130	Side Panel		1	8522111441402
	11	CV6233150123	Side Panel		1	8522111440302
*	12	CV6231907637	Thermostat	CS-7L115	1	4233960069
	13	CV6231917209	Guard		1	8522132124311
	14	CV6233150116	Front Panel		1	8522111824202
	15	CV6231907408	Propeller Fan		1	8522250219801
	16	CV6231917186	Handle		1	8522230317811
	17	CV6233150154	Cover Plate		1	8520230925210
	18	CV6260400765	Cover Terminal		1	8012619413300
	19	CV6231907439	Sheet		1	8522532849900
	20	CV6233150147	Support Valve		1	8522222238201
	21	CV6233147437	S Tite Screw		4	3920461601
	22	CV6231907422	Valve Ass'y 1/4"		1	8520451543300
	23	CV6231845175	Valve Ass'y 1/2"		1	8520452220500
	24	CV6231611497	Label		1	8542135895900
	25	CV6233189253	Ftc Tag		1	8526445924600
	26	CV6233150178	Guard		1	8522132127800
	27	CV6231917292	Packing		1	8522238098210
	28	CV6231854672	Mounting Plate		1	8522238513501
	29	CV6233150161	Conduit Plate		1	8522131945011
*	30	CV6231917902	Reactor	R9020A-TE-COV	1	1FA4L5C013500
	31	CV6230965041	Terminal Base	JTU20-6U-SA0528	1	4237956228
	32	CV6231485876	Mounting Thermostat		2	8522530322401
*	33	CV6231727730	Power Relay	EL200/240A1-F(M)	1	1FA4S2A010000
	34	CV6230516519	Cushion Rubber		4	8522239019200
	35	CV6231638074	Screw Special		4	8522239615401
	36	CV6231859929	Elec Exp Valve Ass'y	UKV-25D46	1	8520452417400
	37	CV6233188911	Caution Label		1	8546575944300
	38	CV6260401021	Gasket Terminal		1	8012530314800
	39	CV6233189147	Top Plate Ass'y		1	8520110326100
	40	CV6230974500	Frange Nut		1	3927706021

NOTE: Metal and plastic parts will be supplied basically with necessary heat insulation pads or packing. Each key number with an asterisk (\*) means the recommended service parts.

## ATTENTION!

To ensure correct parts supply, please let us know the following,

Part No. when you make service parts order:

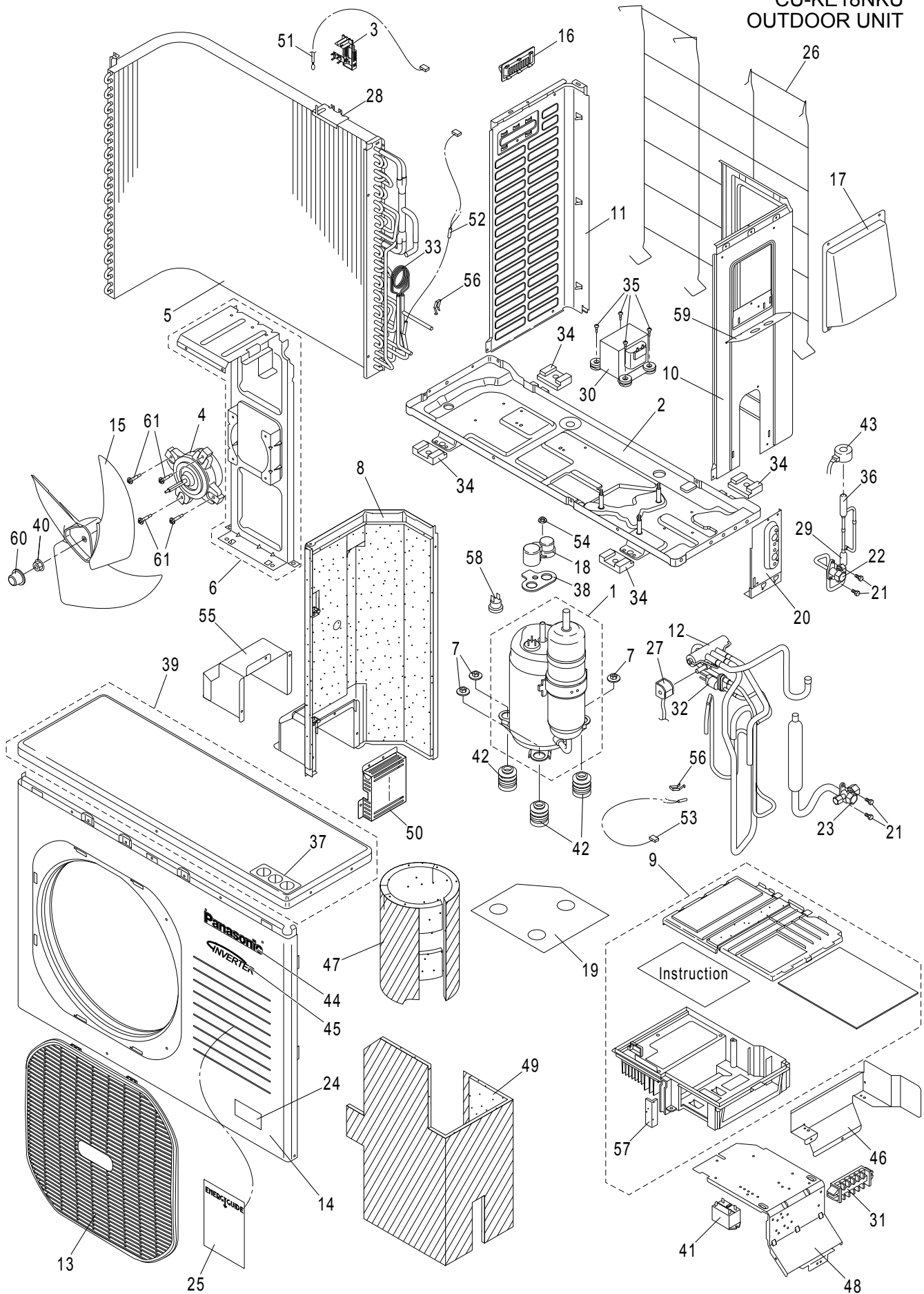
1.Part No. 2.Description 3.Q'ty 4.Volts-Hz-Ph 5.Product Mode No.

CU-KS18NKUA  
OUTDOOR UNIT

KeyNo.	Part No.	Description	Model Number	Q'ty	Reference No.
* 41	CV6231958097	Pressure Switch	ACB-1UB42W	1	1FA4S1H008500
42	CV6231771597	Cushion Rubber		3	8522239028800
* 43	CV6231907552	Magnetic Coil	UKV-A014	1	1FA4L8A037900
44	CV6233172071	Badge		1	8542135433401
45	CV6233174174	Badge		1	8542135433301
46	CV6233189154	Cover, Elec. Component Box		1	8522531553701
47	CV6231635721	Insulation		1	8522247655800
48	CV6231917346	Mounting Plate		1	8522238515601
49	CV6231907613	Insulation		1	8522247671600
50	CV6231917421	Cover Plate		1	8522531549101
* 51	CV6231907606	Thermistor Ass'y K	TKS295B	1	8FA0525918700
* 52	CV6231907590	Thermistor Ass'y K	TKS292B	1	8FA0525919000
* 53	CV6231907583	Thermistor Ass'y K	TKS293B	1	8FA0525919100
54	CV6260400888	Nut 5mm		1	8012830510100
55	CV6233005102	Cap		1	8522235025000
56	CV6233189161	Cover		1	8522251535401
57	CV6233186818	Screw Special		4	8522239623701
	CV6233187204	Installation Instructions		1	8526419057600

NOTE: Metal and plastic parts will be supplied basically with necessary heat insulation pads or packing.  
Each key number with an asterisk (\*) means the recommended service parts.

CU-KE18NKU  
OUTDOOR UNIT



## ATTENTION!

To ensure correct parts supply, please let us know the following,

Part No. when you make service parts order:

1.Part No. 2.Description 3.Q'ty 4.Volts-Hz-Ph 5.Product Mode No.

CU-KE18NKU  
OUTDOOR UNIT

KeyNo.	Part No.	Description	Model Number	Q'ty	Reference No.	
*	1	CV6231907392	Compressor Ass'y	C-6RVN93H0M	1	8520451652100
	2	CV6233150208	Bottom Plate Ass'y		1	8520220279511
	3	CV6231719278	Mounting Thermostat		1	8522530324501
*	4	CV6233189116	Fan Motor	SIC-67FV-F461SX	1	1FA4M4A022800
	5	CV6233150192	Heat Exch Cond Ass'y		1	8520411946200
	6	CV6233189109	Mounting Plate Ass'y		1	8520250632400
	7	CV6231635646	Nut Special		3	8522222610301
	8	CV6233189093	Partition Plate Ass'y		1	8520220952900
*	9	CV6233189123	Controller Assy(Including PCB)	CB-CU-KE18NKU-SRV	1	8549953605966
	10	CV6233150130	Side Panel		1	8522111441402
	11	CV6233150123	Side Panel		1	8522111440302
*	12	CV6231917445	Solenoid Valve Ass'y	STF-02U2G	1	8520450922800
	13	CV6231917209	Guard		1	8522132124311
	14	CV6233150116	Front Panel		1	8522111824202
	15	CV6231907408	Propeller Fan		1	8522250219801
	16	CV6231917186	Handle		1	8522230317811
	17	CV6233150154	Cover Plate		1	8520230925210
	18	CV6260400765	Cover Terminal		1	8012619413300
	19	CV6231907439	Sheet		1	8522532849900
	20	CV6233150147	Support Valve		1	8522222238201
	21	CV6233147437	S Tite Screw		4	3920461601
	22	CV6231907422	Valve Ass'y 1/4"		1	8520451543300
	23	CV6231845175	Valve Ass'y 1/2"		1	8520452220500
	24	CV6231611497	Label		1	8542135895900
	25	CV6233189130	Ftc Tag		1	8526445925000
	26	CV6231907460	Guard Ass'y		1	8520111123601
*	27	CV6231918046	Magnetic Coil	STF-01AQ503UA1	1	8FA0525114600
	28	CV6231854672	Mounting Plate		1	8522238513501
	29	CV6231552424	Strainer Ass'y		1	8520450619500
*	30	CV6231917902	Reactor	R9020A-TE-COV	1	1FA4L5C013500
	31	CV6230965041	Terminal Base	JTU20-6U-SA0528	1	4237956228
*	32	CV6231958097	Pressure Switch	ACB-1UB42W	1	1FA4S1H008500
	33	CV6231451123	Capillary Tube		2	8522426812400
	34	CV6230516519	Cushion Rubber		4	8522239019200
	35	CV6231638074	Screw Special		4	8522239615401
	36	CV6231859929	Elec Exp Valve Ass'y	UKV-25D46	1	8520452417400
	37	CV6233188911	Caution Label		1	8546575944300
	38	CV6260401021	Gasket Terminal		1	8012530314800
	39	CV6233189147	Top Plate Ass'y		1	8520110326100
	40	CV6230974500	Frange Nut		1	3927706021

NOTE: Metal and plastic parts will be supplied basically with necessary heat insulation pads or packing. Each key number with an asterisk (\*) means the recommended service parts.



## ATTENTION!

To ensure correct parts supply, please let us know the following,

Part No. when you make service parts order:

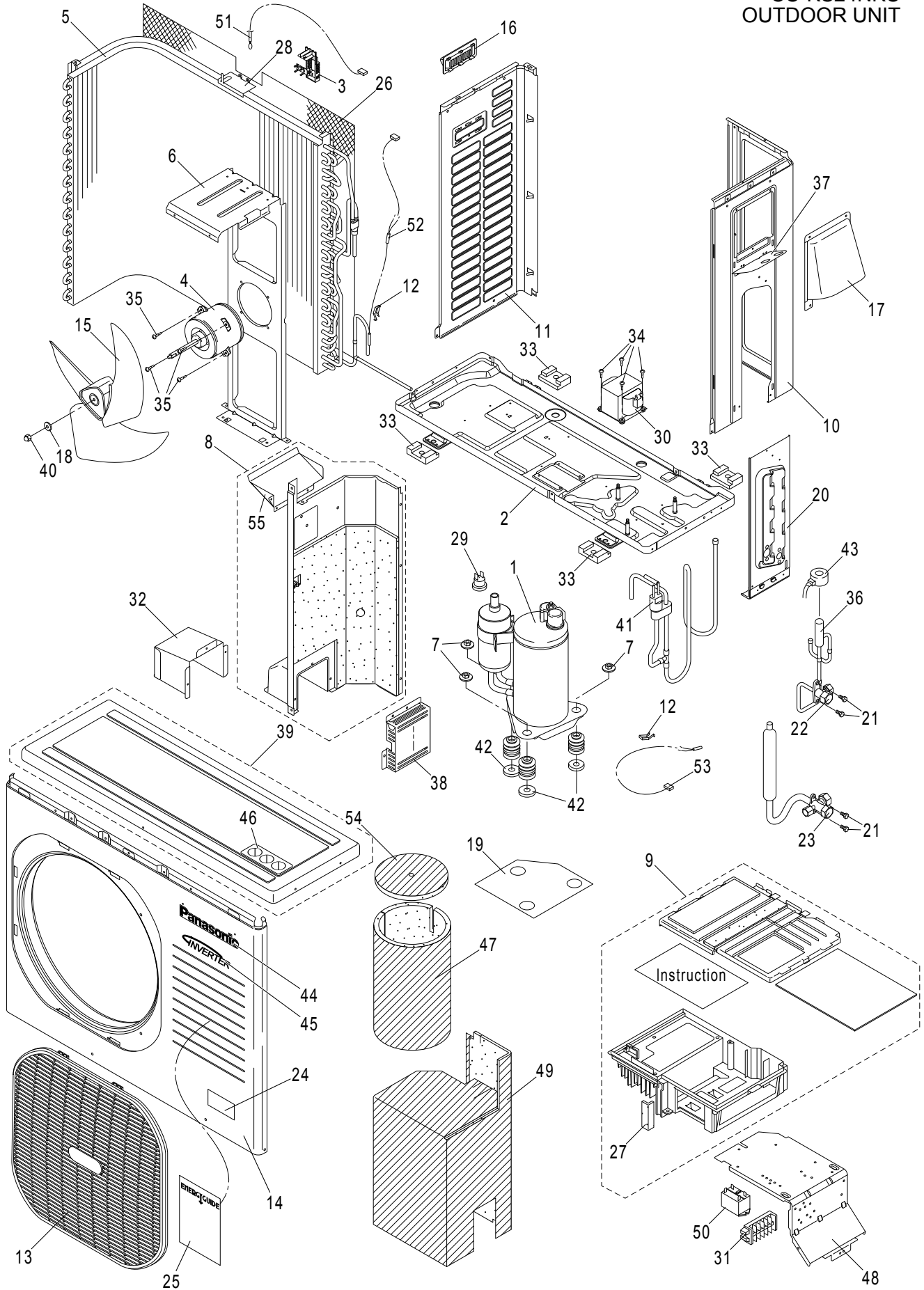
1.Part No. 2.Description 3.Q'ty 4.Volts-Hz-Ph 5.Product Mode No.

CU-KE18NKU  
OUTDOOR UNIT

KeyNo.	Part No.	Description	Model Number	Q'ty	Reference No.
* 41	CV6231727730	Power Relay	EL200/240A1-F(M)	1	1FA4S2A010000
42	CV6231771597	Cushion Rubber		3	8522239028800
* 43	CV6231907552	Magnetic Coil		1	1FA4L8A037900
44	CV6233172071	Badge		1	8542135433401
45	CV6233174174	Badge		1	8542135433301
46	CV6233189154	Cover, Elec. Component Box		1	8522531553701
47	CV6231635721	Insulation		1	8522247655800
48	CV6231917346	Mounting Plate		1	8522238515601
49	CV6231907613	Insulation		1	8522247671600
50	CV6231917421	Cover Plate		1	8522531549101
* 51	CV6231907606	Thermistor Ass'y K	TKS295B	1	8FA0525918700
* 52	CV6231907590	Thermistor Ass'y K	TKS292B	1	8FA0525919000
* 53	CV6231907583	Thermistor Ass'y K	TKS293B	1	8FA0525919100
54	CV6260400888	Nut 5mm		1	8012830510100
55	CV6233189161	Cover		1	8522251535401
56	CV6231485876	Mounting Thermostat		2	8522530322401
57	CV6231917292	Packing		1	8522238098210
* 58	CV6231907637	Thermostat	CS-7L115	1	4233960069
59	CV6233150161	Conduit Plate		1	8522131945011
60	CV6233005102	Cap		1	8522235025000
61	CV6233186818	Screw Special		4	8522239623701
62	CV6233187211	Installation Instructions		1	8526419057900

NOTE: Metal and plastic parts will be supplied basically with necessary heat insulation pads or packing. Each key number with an asterisk (\*) means the recommended service parts.

CU-KS24NKU  
OUTDOOR UNIT



## ATTENTION!

To ensure correct parts supply, please let us know the following,

Part No. when you make service parts order:

1.Part No. 2.Description 3.Q'ty 4.Volts-Hz-Ph 5.Product Mode No.

CU-KS24NKU  
OUTDOOR UNIT

KeyNo.	Part No.	Description	Model Number	Q'ty	Reference No.
* 1	CV6231915441	Comp Sub Ass'y	G8T265FU1JW	1	8520452634800
2	CV6233136233	Bottom Plate Ass'y		1	8520220280002
3	CV6231719278	Mounting Thermostat		1	8522530324501
* 4	CV6231915427	Fan Motor	SIC-71FW-D490-1	1	1FA4M4A010400
5	CV6231917827	Heat Exch Cond Ass'y		1	8520411920100
6	CV6231915403	Mounting Plate, Fan Motor		1	8522235431400
7	CV6231635646	Nut Special		3	8522222610301
8	CV6233189215	Partition Plate Ass'y		1	8520220953200
* 9	CV6233189291	Controller Assy(Including PCB)	CB-CU-KS24NKU-SRV	1	8549953605965
10	CV6233140605	Side Panel		1	8522111441502
11	CV6233136257	Side Panel		1	8522111441302
12	CV6231485876	Mounting Thermostat		2	8522530322401
13	CV6231917858	Guard		1	8522132124211
14	CV6233136240	Front Panel		1	8522111824702
* 15	CV6233043500	Propeller Fan Ass'y		1	8520250218900
16	CV6231917186	Handle		1	8522230317811
17	CV6233136318	Cover Ass'y		1	8520230925120
18	CV6231947404	Washer Special		1	8522131810401
19	CV6231915526	Sheet		1	8522532850000
20	CV6233140612	Support Valve		1	8522222238401
21	CV6233147437	S Tite Screw		4	3920461601
22	CV6231915502	Valve Ass'y 1/4"		1	8520451543400
23	CV6231845700	Valve Ass'y 5/8"		1	8520452315800
24	CV6231611497	Label		1	8542135895900
25	CV6233189307	Ftc Tag		1	8526445924700
26	CV6231917926	Guard		1	8522132124700
27	CV6231917292	Packing		1	8522238098210
28	CV6231915540	Mounting Plate		1	8522238515801
* 29	CV6231907637	Thermostat	CS-7L115	1	4233960069
* 30	CV6231917902	Reactor	R9020A-TE-COV	1	1FA4L5C013500
31	CV6230965041	Terminal Base	JTU20-6U-SA0528	1	4237956228
32	CV6233188904	Cover		1	8522251535501
33	CV6230516519	Cushion Rubber		4	8522239019200
34	CV6231638074	Screw Special		4	8522239615401
35	CV6233136387	Screw Special		4	8522239622201
36	CV6231859929	Elec Exp Valve Ass'y	UKV-25D46	1	8520452417400
37	CV6233140629	Conduit Plate		1	8522131945221
38	CV6231917421	Cover Plate		1	8522531549101
39	CV6233188881	Top Plate Ass'y		1	8520110326200
40	CV6380126705	Funa 6	SUS305-WSA	1	3927506010

NOTE: Metal and plastic parts will be supplied basically with necessary heat insulation pads or packing. Each key number with an asterisk (\*) means the recommended service parts.

## ATTENTION!

To ensure correct parts supply, please let us know the following,

Part No. when you make service parts order:

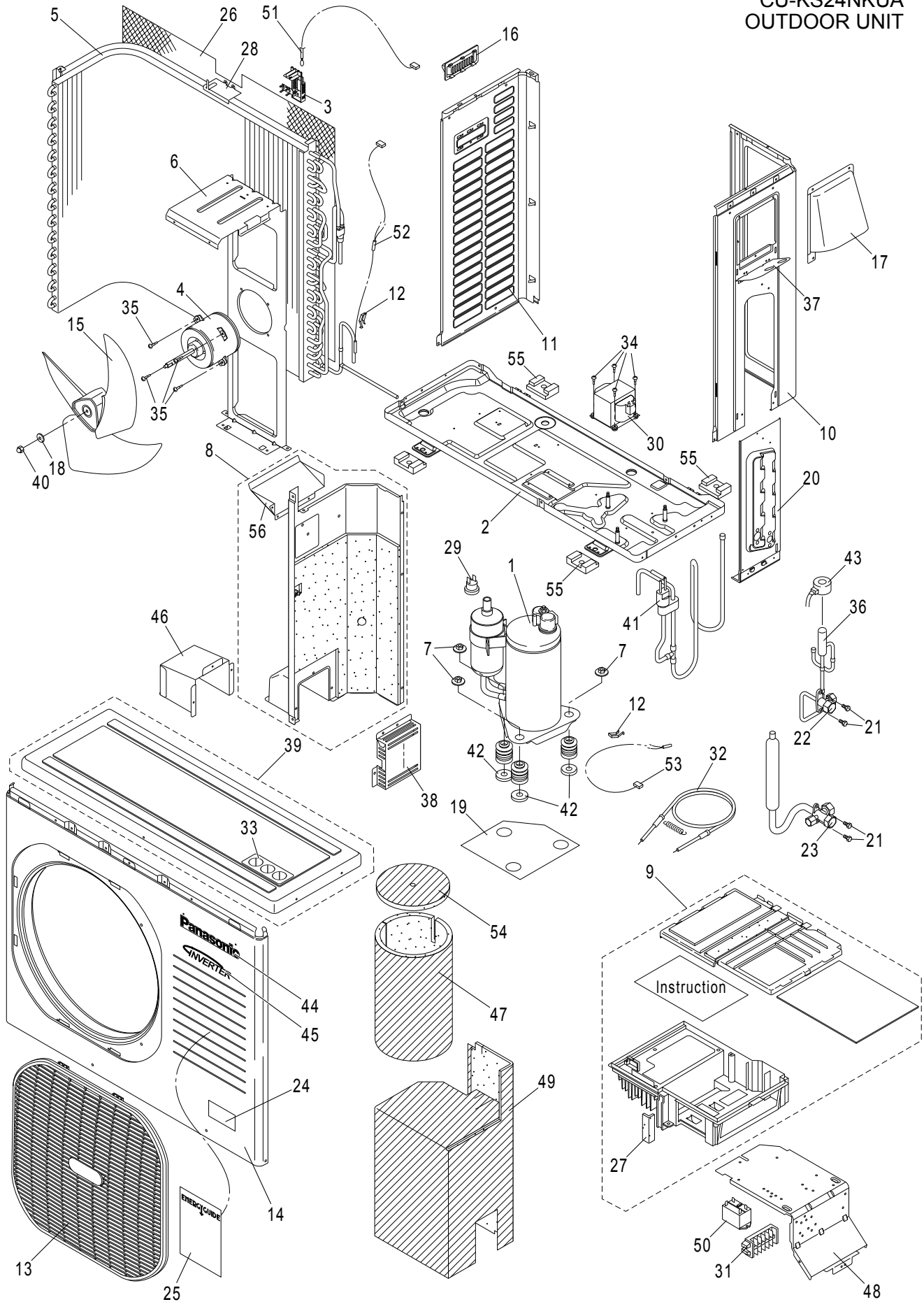
1.Part No. 2.Description 3.Q'ty 4.Volts-Hz-Ph 5.Product Mode No.

CU-KS24NKU  
OUTDOOR UNIT

KeyNo.	Part No.	Description	Model Number	Q'ty	Reference No.
* 41	CV6231958097	Pressure Switch	ACB-1UB42W	1	1FA4S1H008500
42	CV6231915618	Cushion Rubber		3	8522239030800
* 43	CV6231907552	Magnetic Coil	UKV-A014	1	1FA4L8A037900
44	CV6233172071	Badge		1	8542135433401
45	CV6233174174	Badge		1	8542135433301
46	CV6233188911	Caution Label		1	8546575944300
47	CV6231915595	Insulation		1	8522247672100
48	CV6231917346	Mounting Plate		1	8522238515601
49	CV6231915663	Insulation		1	8522247672200
* 50	CV6231727730	Power Relay	EL200/240A1-F(M)	1	1FA4S2A010000
* 51	CV6231907606	Thermistor Ass'y K	TKS295B	1	8FA0525918700
* 52	CV6231915656	Thermistor Ass'y K	TKS292B	1	8FA0525918800
* 53	CV6231915649	Thermistor Ass'y K	TKS293B	1	8FA0525918900
54	CV6231915632	Insulation		1	8522247672000
55	CV6233190785	Mounting Plate		1	8522238531801
	CV6233187204	Installation Instructions		1	8526419057600

NOTE: Metal and plastic parts will be supplied basically with necessary heat insulation pads or packing. Each key number with an asterisk (\*) means the recommended service parts.

CU-KS24NKUA  
OUTDOOR UNIT



## ATTENTION!

To ensure correct parts supply, please let us know the following,

Part No. when you make service parts order:

1.Part No. 2.Description 3.Q'ty 4.Volts-Hz-Ph 5.Product Mode No.

CU-KS24NKUA  
OUTDOOR UNIT

KeyNo.	Part No.	Description	Model Number	Q'ty	Reference No.
* 1	CV6231915441	Comp Sub Ass'y	G8T265FU1JW	1	8520452634800
2	CV6233136233	Bottom Plate Ass'y		1	8520220280002
3	CV6231719278	Mounting Thermostat		1	8522530324501
* 4	CV6231915427	Fan Motor	SIC-71FW-D490-1	1	1FA4M4A010400
5	CV6231917827	Heat Exch Cond Ass'y		1	8520411920100
6	CV6231915403	Mounting Plate, Fan Motor		1	8522235431400
7	CV6231635646	Nut Special		3	8522222610301
8	CV6233189215	Partition Plate Ass'y		1	8520220953200
* 9	CV6233189314	Controller Assy(Including PCB)	CB-CU-KS24NKUA-SRV	1	8549953605964
10	CV6233140605	Side Panel		1	8522111441502
11	CV6233136257	Side Panel		1	8522111441302
12	CV6231485876	Mounting Thermostat		2	8522530322401
13	CV6231917858	Guard		1	8522132124211
14	CV6233136240	Front Panel		1	8522111824702
* 15	CV6233043500	Propeller Fan Ass'y		1	8520250218900
16	CV6231917186	Handle		1	8522230317811
17	CV6233136318	Cover Ass'y		1	8520230925120
18	CV6231947404	Washer Special		1	8522131810401
19	CV6231915526	Sheet		1	8522532850000
20	CV6233140612	Support Valve		1	8522222238401
21	CV6233147437	S Tite Screw		4	3920461601
22	CV6231915502	Valve Ass'y 1/4"		1	8520451543400
23	CV6231845700	Valve Ass'y 5/8"		1	8520452315800
24	CV6231611497	Label		1	8542135895900
25	CV6233189321	Ftc Tag		1	8526445924800
26	CV6231917926	Guard		1	8522132124700
27	CV6231917292	Packing		1	8522238098210
28	CV6231915540	Mounting Plate		1	8522238515801
* 29	CV6231907637	Thermostat	CS-7L115	1	4233960069
* 30	CV6231917902	Reactor	R9020A-TE-COV	1	1FA4L5C013500
31	CV6230965041	Terminal Base	JTU20-6U-SA0528	1	4237956228
* 32	CV6231917988	Heater K	SP4407Q-09	1	8FA0525503300
33	CV6233188911	Caution Label		1	8546575944300
34	CV6231638074	Screw Special		4	8522239615401
35	CV6233136387	Screw Special		4	8522239622201
36	CV6231859929	Elec Exp Valve Ass'y	UKV-25D46	1	8520452417400
37	CV6233140629	Conduit Plate		1	8522131945221
38	CV6231917421	Cover Plate		1	8522531549101
39	CV6233188881	Top Plate Ass'y		1	8520110326200
40	CV6380126705	Funa 6	SUS305-WSA	1	3927506010

NOTE: Metal and plastic parts will be supplied basically with necessary heat insulation pads or packing. Each key number with an asterisk (\*) means the recommended service parts.

## ATTENTION!

To ensure correct parts supply, please let us know the following,

Part No. when you make service parts order:

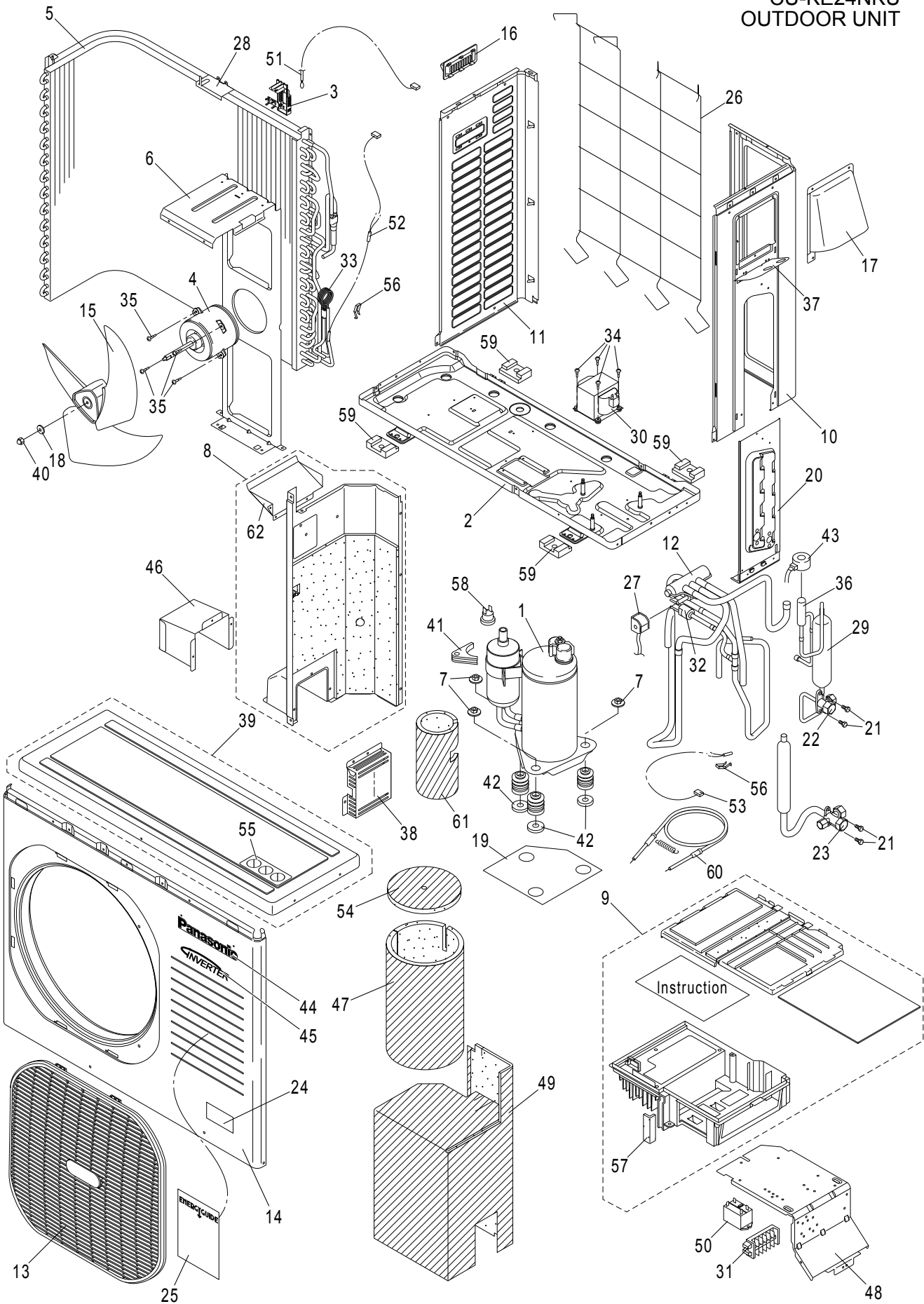
1.Part No. 2.Description 3.Q'ty 4.Volts-Hz-Ph 5.Product Mode No.

CU-KS24NKUA  
OUTDOOR UNIT

KeyNo.	Part No.	Description	Model Number	Q'ty	Reference No.
* 41	CV6231958097	Pressure Switch	ACB-1UB42W	1	1FA4S1H008500
42	CV6231915618	Cushion Rubber		3	8522239030800
* 43	CV6231907552	Magnetic Coil	UKV-A014	1	1FA4L8A037900
44	CV6233172071	Badge		1	8542135433401
45	CV6233174174	Badge		1	8542135433301
46	CV6233188904	Cover		1	8522251535501
47	CV6231915595	Insulation		1	8522247672100
48	CV6231917346	Mounting Plate		1	8522238515601
49	CV6231915663	Insulation		1	8522247672200
* 50	CV6231727730	Power Relay	EL200/240A1-F(M)	1	1FA4S2A010000
* 51	CV6231907606	Thermistor Ass'y K	TKS295B	1	8FA0525918700
* 52	CV6231915656	Thermistor Ass'y K	TKS292B	1	8FA0525918800
* 53	CV6231915649	Thermistor Ass'y K	TKS293B	1	8FA0525918900
54	CV6231915632	Insulation		1	8522247672000
55	CV6230516519	Cushion Rubber		4	8522239019200
56	CV6233190785	Mounting Plate		1	8522238531801
	CV6233187204	Installation Instructions		1	8526419057600

NOTE: Metal and plastic parts will be supplied basically with necessary heat insulation pads or packing. Each key number with an asterisk (\*) means the recommended service parts.

CU-KE24NKU  
OUTDOOR UNIT





## ATTENTION!

To ensure correct parts supply, please let us know the following,

Part No. when you make service parts order:

1.Part No. 2.Description 3.Q'ty 4.Volts-Hz-Ph 5.Product Mode No.

CU-KE24NKU  
OUTDOOR UNIT

KeyNo.	Part No.	Description	Model Number	Q'ty	Reference No.	
*	1	CV6231915441	Comp Sub Ass'y	G8T265FU1JW	1	8520452634800
	2	CV6233136516	Bottom Plate Ass'y		1	8520220279402
	3	CV6231719278	Mounting Thermostat		1	8522530324501
*	4	CV6231915427	Fan Motor	SIC-71FW-D490-1	1	1FA4M4A010400
	5	CV6231915410	Heat Exch Cond Ass'y		1	8520411919700
	6	CV6231915403	Mounting Plate, Fan Motor		1	8522235431400
	7	CV6231635646	Nut Special		3	8522222610301
	8	CV6233189215	Partition Plate Ass'y		1	8520220953200
*	9	CV6233189222	Controller Assy(Including PCB)	CB-CU-KE24NKU-SRV	1	8549953605963
	10	CV6233140605	Side Panel		1	8522111441502
	11	CV6233136257	Side Panel		1	8522111441302
*	12	CV6231917445	Solenoid Valve Ass'y	STF-02U2G	1	8520450922800
	13	CV6231917858	Guard		1	8522132124211
	14	CV6233136240	Front Panel		1	8522111824702
*	15	CV6233043500	Propeller Fan Ass'y		1	8520250218900
	16	CV6231917186	Handle		1	8522230317811
	17	CV6233136318	Cover Ass'y		1	8520230925120
	18	CV6231947404	Washer Special		1	8522131810401
	19	CV6231915526	Sheet		1	8522532850000
	20	CV6233140612	Support Valve		1	8522222238401
	21	CV6233147437	S Tite Screw		4	3920461601
	22	CV6231915502	Valve Ass'y 1/4"		1	8520451543400
	23	CV6231845700	Valve Ass'y 5/8"		1	8520452315800
	24	CV6231611497	Label		1	8542135895900
	25	CV6233189239	Ftc Tag		1	8526445925100
	26	CV6231915557	Guard Ass'y		1	8520111123801
*	27	CV6231918046	Magnetic Coil	STF-01AQ503UA1	1	8FA0525114600
	28	CV6231915540	Mounting Plate		1	8522238515801
	29	CV6231301732	Strainer Ass'y		1	8520450617500
*	30	CV6231917902	Reactor	R9020A-TE-COV	1	1FA4L5C013500
	31	CV6230965041	Terminal Base	JTU20-6U-SA0528	1	4237956228
*	32	CV6231958097	Pressure Switch	ACB-1UB42W	1	1FA4S1H008500
	33	CV6231451123	Capillary Tube		2	8522426812400
	34	CV6231638074	Screw Special		4	8522239615401
	35	CV6233136387	Screw Special		4	8522239622201
	36	CV6231859929	Elec Exp Valve Ass'y	UKV-25D46	1	8520452417400
	37	CV6233140629	Conduit Plate		1	8522131945221
	38	CV6231917421	Cover Plate		1	8522531549101
	39	CV6233188881	Top Plate Ass'y		1	8520110326200
	40	CV6380126705	Funa 6	SUS305-WSA	1	3927506010

NOTE: Metal and plastic parts will be supplied basically with necessary heat insulation pads or packing. Each key number with an asterisk (\*) means the recommended service parts.

## ATTENTION!

To ensure correct parts supply, please let us know the following,

Part No. when you make service parts order:

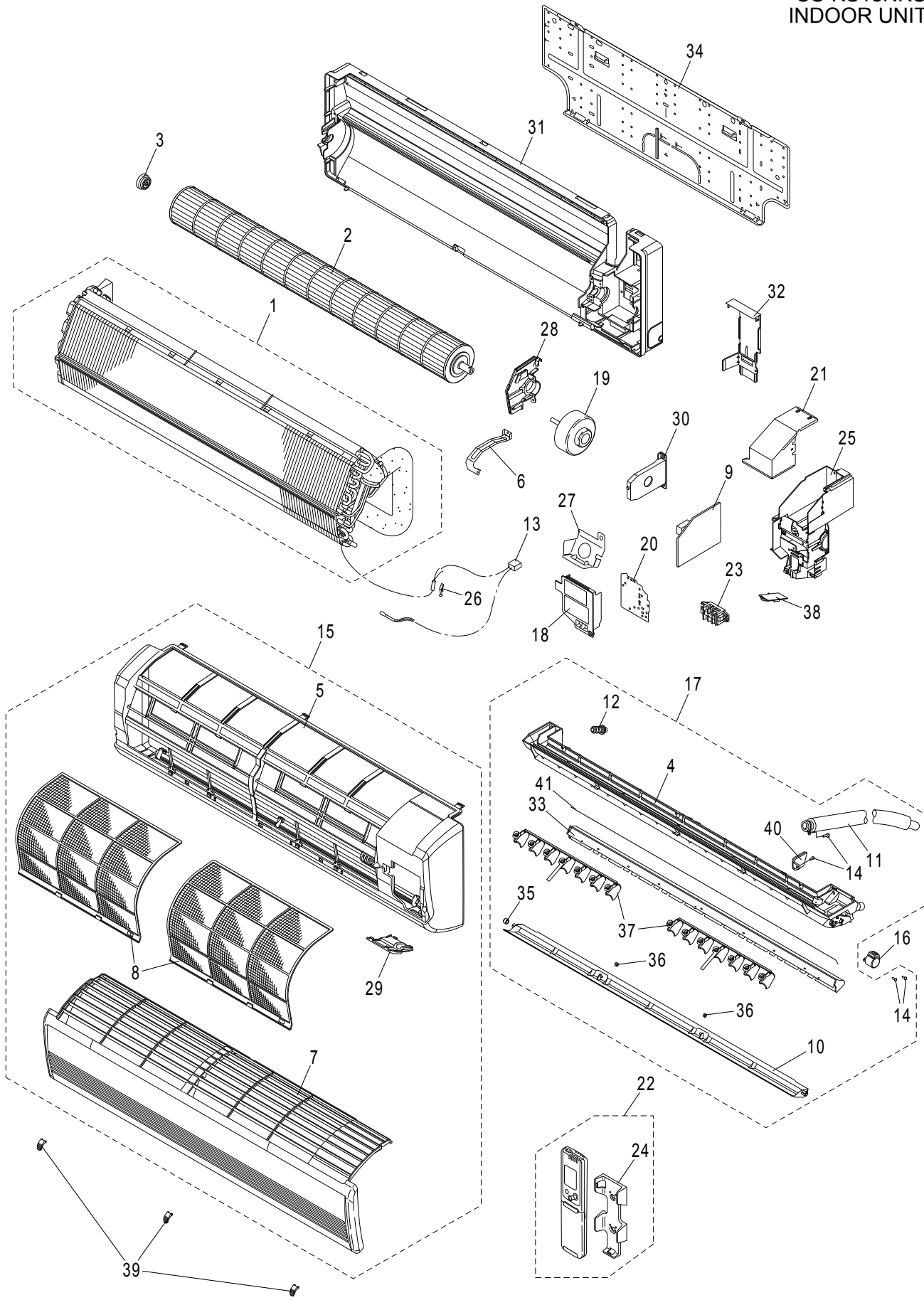
1.Part No. 2.Description 3.Q'ty 4.Volts-Hz-Ph 5.Product Mode No.

CU-KE24NKU  
OUTDOOR UNIT

KeyNo.	Part No.	Description	Model Number	Q'ty	Reference No.
41	CV6231719520	Mounting Rubber, Tube		1	8522431311000
42	CV6231915618	Cushion Rubber		3	8522239030800
* 43	CV6231907552	Magnetic Coil	UKV-A014	1	1FA4L8A037900
44	CV6233172071	Badge		1	8542135433401
45	CV6233174174	Badge		1	8542135433301
46	CV6233188904	Cover		1	8522251535501
47	CV6231915595	Insulation		1	8522247672100
48	CV6231917346	Mounting Plate		1	8522238515601
49	CV6231915663	Insulation		1	8522247672200
* 50	CV6231727730	Power Relay	EL200/240A1-F(M)	1	1FA4S2A010000
* 51	CV6231907606	Thermistor Ass'y K	TKS295B	1	8FA0525918700
* 52	CV6231915656	Thermistor Ass'y K	TKS292B	1	8FA0525918800
* 53	CV6231915649	Thermistor Ass'y K	TKS293B	1	8FA0525918900
54	CV6231915632	Insulation		1	8522247672000
55	CV6233188911	Caution Label		1	8546575944300
56	CV6231485876	Mounting Thermostat		2	8522530322401
57	CV6231917292	Packing		1	8522238098210
* 58	CV6231907637	Thermostat	CS-7L115	1	4233960069
59	CV6230516519	Cushion Rubber		4	8522239019200
* 60	CV6231917988	Heater K	SP4407Q-09	1	8FA0525503300
61	CV6231916769	Insulation		1	8522247673300
62	CV6233190785	Mounting Plate		1	8522238531801
	CV6233187211	Installation Instructions		1	8526419057900

NOTE: Metal and plastic parts will be supplied basically with necessary heat insulation pads or packing. Each key number with an asterisk (\*) means the recommended service parts.

CS-KS18NKU  
INDOOR UNIT



## ATTENTION!

To ensure correct parts supply, please let us know the following,

Part No. when you make service parts order:

1.Part No. 2.Description 3.Q'ty 4.Volts-Hz-Ph 5.Product Mode No.

CS-KS18NKU  
INDOOR UNIT

KeyNo.	Part No.	Description	Model Number	Q'ty	Reference No.	
1	CV6231917537	Evaporator Ass'y		1	8520411693000	
*	2	CV6231845397	Cross-Flow Fan Ass'y	1	8520250929200	
*	3	CV6231718318	Bearing Housing Ass'y	1	8520251013200	
4	CV6231917520	Air Outlet Frame		1	8522153121011	
5	CV6231917513	Grille		1	8522150152211	
6	CV6231845366	Mounting Plate		1	8522238512801	
7	CV6233189345	Ornamental Plate		1	8522151638712	
8	CV6233189338	Air Filter Ass'y		2	8520230739201	
*	9	CV6233189376	Circuit Board Ass'y	CB-CS-KS18NKU	1	8FA0518188800
10	CV6231917551	Flap		1	8522152330011	
11	CV6231772235	Drain Hose Ass'y		1	8520130329400	
12	CV6231718363	Cap, Drain Pan		1	8522234812401	
*	13	CV6233189369	Thermistor Ass'y	PTM-D51H-S4-2	1	8FA0525962800
14	CV6231510646	Screw Special	SWCH18A	4	8522239615101	
15	CV6233189352	Grille Ass'y		1	8520150194000	
*	16	CV6231772204	Step Motor	MP24Z3-12V	1	1FA4M3A000900
17	CV6233189390	Air Outlet Ass'y		1	8520153141700	
18	CV6231917582	Terminal Cover Ass'y		1	8520530907400	
*	19	CV6233189383	Fan Motor	SIC-41CVJ-D847-3	1	1FA4M5B011600
20	CV6231845489	Mounting Plate		1	8522238513001	
21	CV6231845472	Cover Plate		1	8522530941401	
*	22	CV6233187037	Remote Control Switch	PRCS-3VPSS4E-T	1	8FA0005458900
23	CV6230032996	Terminal Base	KTU15N-3J	1	4237956159	
24	CV6233003573	Holder		1	8512537707701	
25	CV6231917667	Elec. Component Box		1	8522530770911	
26	CV6231485876	Mounting Thermostat		1	8522530322401	
27	CV6231917650	Angle Terminal		1	8522530636301	
28	CV6231917643	Mounting Plate Ass'y		1	8520221718200	
29	CV6233189406	Sash ORN Ass'y		1	8520130136700	
30	CV6231917629	Mounting Plate, Fan Motor		1	8522235430711	
31	CV6231917612	Frame Ass'y		1	8520220143600	
32	CV6231917605	Mounting, Tube		1	8522236230212	
33	CV6231917698	Guide Air Defl		1	8522236019711	
34	CV6231845625	Rear Panel		1	8522223022901	
35	CV6231469104	Mounting		1	8522151452001	
36	CV6380037209	Mounting		2	8522151444002	
37	CV6231917681	Blade		2	8522151935411	
*	38	CV6231907750	P.C.B. Ass'y	IND-KRV184EH	1	8FA0517862700
39	CV6231917674	Cap		3	8522235024211	
40	CV6233189413	Mounting		1	8522151470911	

NOTE: Metal and plastic parts will be supplied basically with necessary heat insulation pads or packing. Each key number with an asterisk (\*) means the recommended service parts.

**ATTENTION!**

To ensure correct parts supply, please let us know the following,

Part No. when you make service parts order:

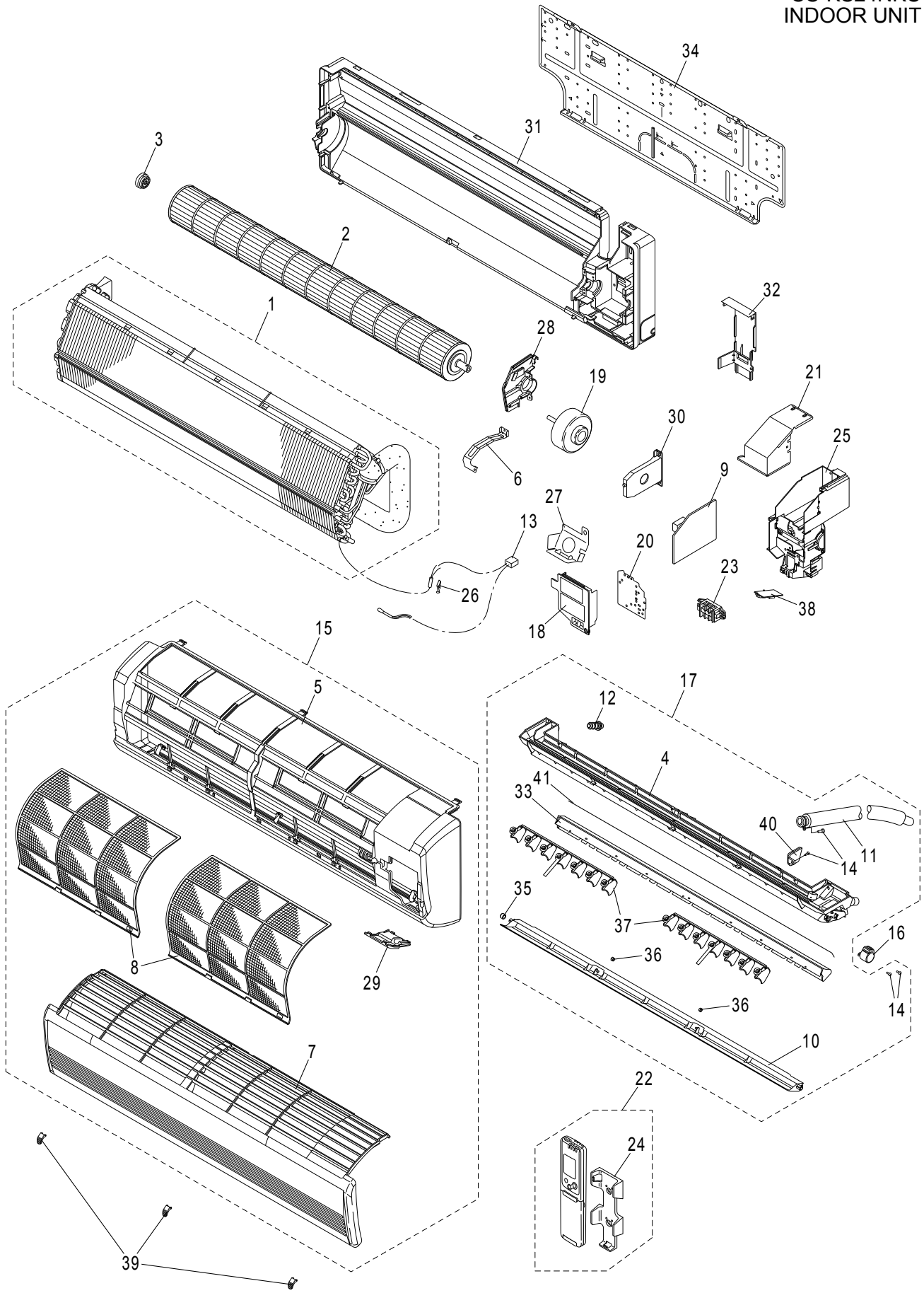
CS-KS18NKU  
INDOOR UNIT

1.Part No. 2.Description 3.Q'ty 4.Volts-Hz-Ph 5.Product Mode No.

KeyNo.	Part No.	Description	Model Number	Q'ty	Reference No.
41	CV6231920513	Wire		1	8522131536101
	CV6233187228	Operation Manual		1	8526418121000

NOTE: Metal and plastic parts will be supplied basically with necessary heat insulation pads or packing. Each key number with an asterisk (\*) means the recommended service parts.

CS-KS24NKU  
INDOOR UNIT



## ATTENTION!

To ensure correct parts supply, please let us know the following,

Part No. when you make service parts order:

1.Part No. 2.Description 3.Q'ty 4.Volts-Hz-Ph 5.Product Mode No.

CS-KS24NKU  
INDOOR UNIT

KeyNo.	Part No.	Description	Model Number	Q'ty	Reference No.	
1	CV6231917704	Evaporator Ass'y		1	8520411693200	
*	2	CV6231845397	Cross-Flow Fan Ass'y	1	8520250929200	
*	3	CV6231718318	Bearing Housing Ass'y	1	8520251013200	
4	CV6231917520	Air Outlet Frame		1	8522153121011	
5	CV6231917513	Grille		1	8522150152211	
6	CV6231845366	Mounting Plate		1	8522238512801	
7	CV6233189345	Ornamental Plate		1	8522151638712	
8	CV6233189338	Air Filter Ass'y		2	8520230739201	
*	9	CV6233189420	Circuit Board Ass'y	CB-CS-KS24NKU	1	8FA0518188900
10	CV6231917551	Flap		1	8522152330011	
11	CV6231772235	Drain Hose Ass'y		1	8520130329400	
12	CV6231718363	Cap, Drain Pan		1	8522234812401	
*	13	CV6233189369	Thermistor Ass'y	PTM-D51H-S4-2	1	8FA0525962800
14	CV6231510646	Screw Special	SWCH18A	4	8522239615101	
15	CV6233189352	Grille Ass'y		1	8520150194000	
*	16	CV6231772204	Step Motor	MP24Z3-12V	1	1FA4M3A000900
17	CV6233189390	Air Outlet Ass'y		1	8520153141700	
18	CV6231917582	Terminal Cover Ass'y		1	8520530907400	
*	19	CV6233189383	Fan Motor	SIC-41CVJ-D847-3	1	1FA4M5B011600
20	CV6231845489	Mounting Plate		1	8522238513001	
21	CV6231845472	Cover Plate		1	8522530941401	
*	22	CV6233187037	Remote Control Switch	PRCS-3VPSS4E-T	1	8FA0005458900
23	CV6230032996	Terminal Base	KTU15N-3J	1	4237956159	
24	CV6233003573	Holder		1	8512537707701	
25	CV6231917667	Elec. Component Box		1	8522530770911	
26	CV6231485876	Mounting Thermostat		1	8522530322401	
27	CV6231917650	Angle Terminal		1	8522530636301	
28	CV6231917643	Mounting Plate Ass'y		1	8520221718200	
29	CV6233189406	Sash ORN Ass'y		1	8520130136700	
30	CV6231917629	Mounting Plate, Fan Motor		1	8522235430711	
31	CV6231917612	Frame Ass'y		1	8520220143600	
32	CV6231917605	Mounting, Tube		1	8522236230212	
33	CV6231917698	Guide Air Defl		1	8522236019711	
34	CV6231845625	Rear Panel		1	8522223022901	
35	CV6231469104	Mounting		1	8522151452001	
36	CV6380037209	Mounting		2	8522151444002	
37	CV6231917681	Blade		2	8522151935411	
*	38	CV6231907750	P.C.B. Ass'y	IND-KRV184EH	1	8FA0517862700
39	CV6231917674	Cap		3	8522235024211	
40	CV6233189413	Mounting		1	8522151470911	

NOTE: Metal and plastic parts will be supplied basically with necessary heat insulation pads or packing. Each key number with an asterisk (\*) means the recommended service parts.

**ATTENTION!**

To ensure correct parts supply, please let us know the following,

Part No. when you make service parts order:

CS-KS24NKU  
INDOOR UNIT

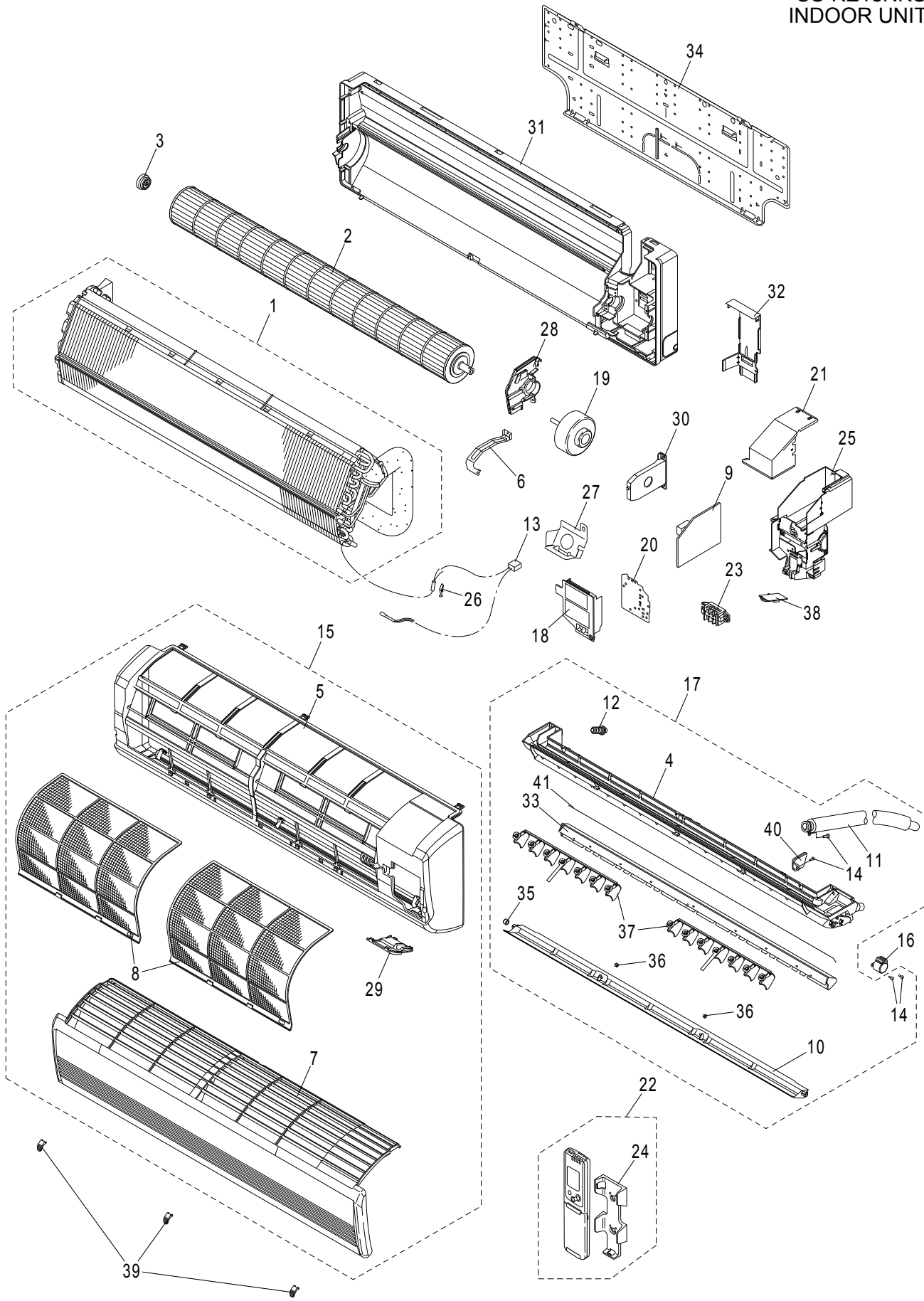
1.Part No. 2.Description 3.Q'ty 4.Volts-Hz-Ph 5.Product Mode No.

KeyNo.	Part No.	Description	Model Number	Q'ty	Reference No.
41	CV6231920513	Wire		1	8522131536101
	CV6233187228	Operation Manual		1	8526418121000

NOTE: Metal and plastic parts will be supplied basically with necessary heat insulation pads or packing. Each key number with an asterisk (\*) means the recommended service parts.



CS-KE18NKU  
INDOOR UNIT



## ATTENTION!

To ensure correct parts supply, please let us know the following,

Part No. when you make service parts order:

1.Part No. 2.Description 3.Q'ty 4.Volts-Hz-Ph 5.Product Mode No.

CS-KE18NKU  
INDOOR UNIT

KeyNo.	Part No.	Description	Model Number	Q'ty	Reference No.	
1	CV6231917537	Evaporator Ass'y		1	8520411693000	
*	2	CV6231845397	Cross-Flow Fan Ass'y	1	8520250929200	
*	3	CV6231718318	Bearing Housing Ass'y	1	8520251013200	
4	CV6231917520	Air Outlet Frame		1	8522153121011	
5	CV6231917513	Grille		1	8522150152211	
6	CV6231845366	Mounting Plate		1	8522238512801	
7	CV6233189345	Ornamental Plate		1	8522151638712	
8	CV6233189338	Air Filter Ass'y		2	8520230739201	
*	9	CV6233189437	Circuit Board Ass'y	CB-CS-KE18NKU	1	8FA0518189000
10	CV6231917551	Flap		1	8522152330011	
11	CV6231772235	Drain Hose Ass'y		1	8520130329400	
12	CV6231718363	Cap, Drain Pan		1	8522234812401	
*	13	CV6233189369	Thermistor Ass'y	PTM-D51H-S4-2	1	8FA0525962800
14	CV6231510646	Screw Special	SWCH18A	4	8522239615101	
15	CV6233189352	Grille Ass'y		1	8520150194000	
*	16	CV6231772204	Step Motor	MP24Z3-12V	1	1FA4M3A000900
17	CV6233189390	Air Outlet Ass'y		1	8520153141700	
18	CV6231917582	Terminal Cover Ass'y		1	8520530907400	
*	19	CV6233189383	Fan Motor	SIC-41CVJ-D847-3	1	1FA4M5B011600
20	CV6231845489	Mounting Plate		1	8522238513001	
21	CV6231845472	Cover Plate		1	8522530941401	
*	22	CV6233187020	Remote Control Switch	PRCS-3HVPSS4EE-T	1	8FA0005458800
23	CV6230032996	Terminal Base	KTU15N-3J	1	4237956159	
24	CV6233003573	Holder		1	8512537707701	
25	CV6231917667	Elec. Component Box		1	8522530770911	
26	CV6231485876	Mounting Thermostat		1	8522530322401	
27	CV6231917650	Angle Terminal		1	8522530636301	
28	CV6231917643	Mounting Plate Ass'y		1	8520221718200	
29	CV6233189406	Sash ORN Ass'y		1	8520130136700	
30	CV6231917629	Mounting Plate, Fan Motor		1	8522235430711	
31	CV6231917612	Frame Ass'y		1	8520220143600	
32	CV6231917605	Mounting, Tube		1	8522236230212	
33	CV6231917698	Guide Air Defl		1	8522236019711	
34	CV6231845625	Rear Panel		1	8522223022901	
35	CV6231469104	Mounting		1	8522151452001	
36	CV6380037209	Mounting		2	8522151444002	
37	CV6231917681	Blade		2	8522151935411	
*	38	CV6231907750	P.C.B. Ass'y	IND-KRV184EH	1	8FA0517862700
39	CV6231917674	Cap		3	8522235024211	
40	CV6233189413	Mounting		1	8522151470911	

NOTE: Metal and plastic parts will be supplied basically with necessary heat insulation pads or packing. Each key number with an asterisk (\*) means the recommended service parts.

**ATTENTION!**

To ensure correct parts supply, please let us know the following,

Part No. when you make service parts order:

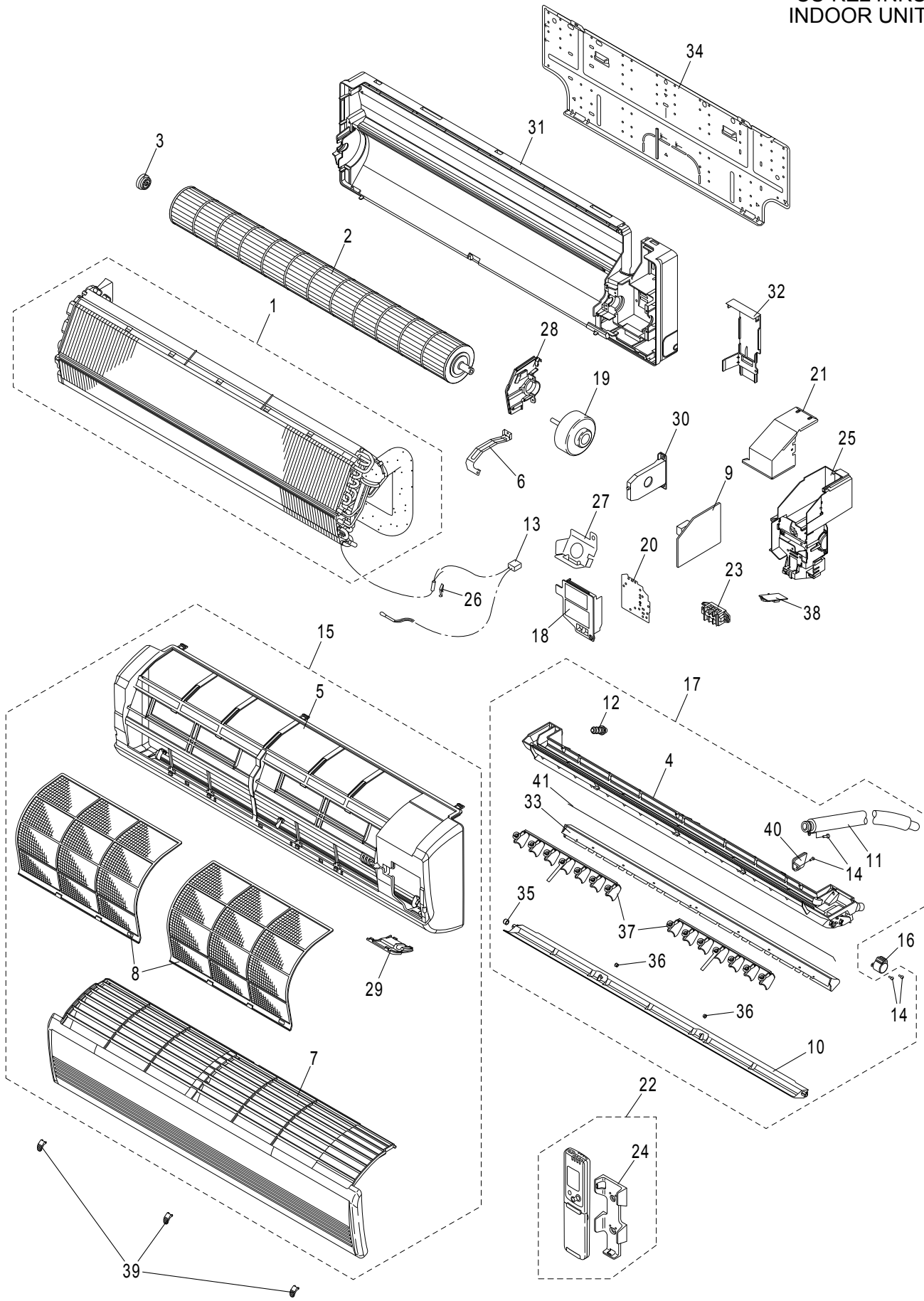
CS-KE18NKU  
INDOOR UNIT

1.Part No. 2.Description 3.Q'ty 4.Volts-Hz-Ph 5.Product Mode No.

KeyNo.	Part No.	Description	Model Number	Q'ty	Reference No.
41	CV6231920513	Wire		1	8522131536101
	CV6233187235	Operation Manual		1	8526418121200

NOTE: Metal and plastic parts will be supplied basically with necessary heat insulation pads or packing. Each key number with an asterisk (\*) means the recommended service parts.

CS-KE24NKU  
INDOOR UNIT



## ATTENTION!

To ensure correct parts supply, please let us know the following,

Part No. when you make service parts order:

1.Part No. 2.Description 3.Q'ty 4.Volts-Hz-Ph 5.Product Mode No.

CS-KE24NKU  
INDOOR UNIT

KeyNo.	Part No.	Description	Model Number	Q'ty	Reference No.	
1	CV6231917704	Evaporator Ass'y		1	8520411693200	
*	2	CV6231845397	Cross-Flow Fan Ass'y	1	8520250929200	
*	3	CV6231718318	Bearing Housing Ass'y	1	8520251013200	
4	CV6231917520	Air Outlet Frame		1	8522153121011	
5	CV6231917513	Grille		1	8522150152211	
6	CV6231845366	Mounting Plate		1	8522238512801	
7	CV6233189345	Ornamental Plate		1	8522151638712	
8	CV6233189338	Air Filter Ass'y		2	8520230739201	
*	9	CV6233189444	Circuit Board Ass'y	CB-CS-KE24NKU	1	8FA0518189100
10	CV6231917551	Flap		1	8522152330011	
11	CV6231772235	Drain Hose Ass'y		1	8520130329400	
12	CV6231718363	Cap, Drain Pan		1	8522234812401	
*	13	CV6233189369	Thermistor Ass'y	PTM-D51H-S4-2	1	8FA0525962800
14	CV6231510646	Screw Special	SWCH18A	4	8522239615101	
15	CV6233189352	Grille Ass'y		1	8520150194000	
*	16	CV6231772204	Step Motor	MP24Z3-12V	1	1FA4M3A000900
17	CV6233189390	Air Outlet Ass'y		1	8520153141700	
18	CV6231917582	Terminal Cover Ass'y		1	8520530907400	
*	19	CV6233189383	Fan Motor	SIC-41CVJ-D847-3	1	1FA4M5B011600
20	CV6231845489	Mounting Plate		1	8522238513001	
21	CV6231845472	Cover Plate		1	8522530941401	
*	22	CV6233187020	Remote Control Switch	PRCS-3HVPSS4EE-T	1	8FA0005458800
23	CV6230032996	Terminal Base	KTU15N-3J	1	4237956159	
24	CV6233003573	Holder		1	8512537707701	
25	CV6231917667	Elec. Component Box		1	8522530770911	
26	CV6231485876	Mounting Thermostat		1	8522530322401	
27	CV6231917650	Angle Terminal		1	8522530636301	
28	CV6231917643	Mounting Plate Ass'y		1	8520221718200	
29	CV6233189406	Sash ORN Ass'y		1	8520130136700	
30	CV6231917629	Mounting Plate, Fan Motor		1	8522235430711	
31	CV6231917612	Frame Ass'y		1	8520220143600	
32	CV6231917605	Mounting, Tube		1	8522236230212	
33	CV6231917698	Guide Air Defl		1	8522236019711	
34	CV6231845625	Rear Panel		1	8522223022901	
35	CV6231469104	Mounting		1	8522151452001	
36	CV6380037209	Mounting		2	8522151444002	
37	CV6231917681	Blade		2	8522151935411	
*	38	CV6231907750	P.C.B. Ass'y	IND-KRV184EH	1	8FA0517862700
39	CV6231917674	Cap		3	8522235024211	
40	CV6233189413	Mounting		1	8522151470911	

NOTE: Metal and plastic parts will be supplied basically with necessary heat insulation pads or packing. Each key number with an asterisk (\*) means the recommended service parts.

**ATTENTION!**

To ensure correct parts supply, please let us know the following,

Part No. when you make service parts order:

CS-KE24NKU  
INDOOR UNIT

1.Part No. 2.Description 3.Q'ty 4.Volts-Hz-Ph 5.Product Mode No.

KeyNo.	Part No.	Description	Model Number	Q'ty	Reference No.
41	CV6231920513	Wire		1	8522131536101
	CV6233187235	Operation Manual		1	8526418121200

NOTE: Metal and plastic parts will be supplied basically with necessary heat insulation pads or packing. Each key number with an asterisk (\*) means the recommended service parts.