

Parts List



File No.

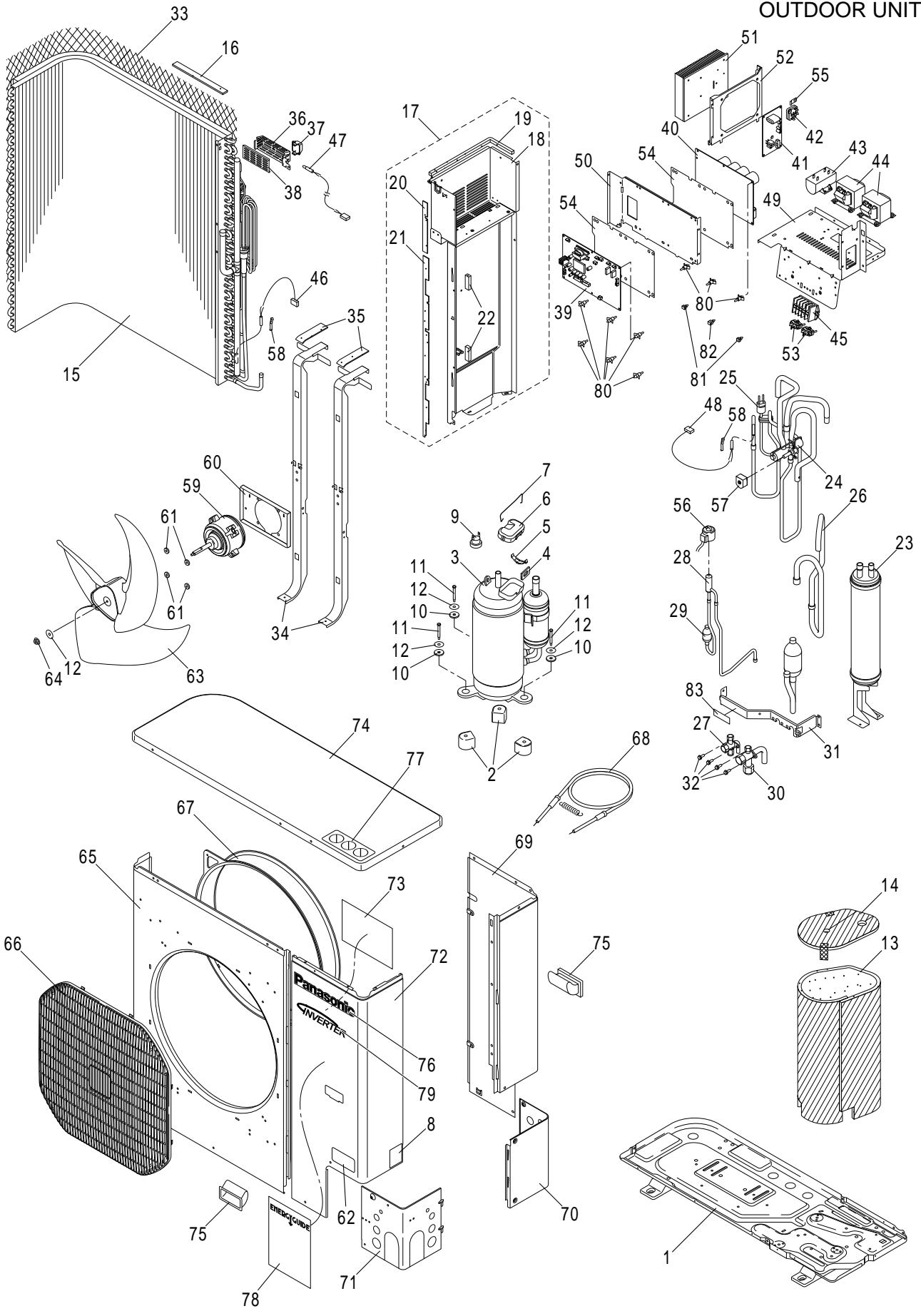
Air Conditioner

REFERENCE No.PL 706902

—— CONTENTS ——

	Model No.	Prod.Code	Volt-Phase-Hertz	Country of Origin	Page
OUTDOOR UNIT	CU-KE30NKU	1 852 360 82	230-208-1-60	DSK	1
	CU-KE36NKU	1 852 360 83	230-208-1-60	DSK	5
	CU-KS30NKUA	1 852 360 84	230-208-1-60	DSK	9
	CU-KS36NKUA	1 852 360 85	230-208-1-60	DSK	13
INDOOR UNIT	CS-KS30NKU	1 852 360 86	230-208-1-60	DSK	17
	CS-KS36NKU	1 852 360 87	230-208-1-60	DSK	20
	CS-KE30NKU	1 852 360 88	230-208-1-60	DSK	23
	CS-KE36NKU	1 852 360 89	230-208-1-60	DSK	26

CU-KE30NKU
OUTDOOR UNIT



ATTENTION!

To ensure correct parts supply, please let us know the following,

Part No. when you make service parts order:

1.Part No. 2.Description 3.Q'ty 4.Volts-Hz-Ph 5.Product Mode No.

CU-KE30NKU
OUTDOOR UNIT

KeyNo.	Part No.	Description	Model Number	Q'ty	Reference No.	
1	CV6233134833	Bottom Plate Ass'y		1	8520220290803	
2	CV6230772564	Cushion Rubber		3	8542231813200	
3	CV6233104768	Compressor	C-9RVN273H0H	1	222BB80868380	
4	CV6231695190	Eyelet Rubber Lead Wire		1	8012530412600	
5	CV6260400222	Plate Protector	SUS301-CSP	1	8012530212500	
6	CV6260400826	Cap Terminal Cover		1	8012619510700	
7	CV6260400512	Clip		1	8012534010500	
8	CV6233136158	Label		1	8526442366100	
*	9	CV6231915793	Thermostat	CS-7L110	1	4233960062
10	CV6231834650	Spacer		3	8542234922000	
11	CV6233036656	Bolt Special		3	8542234820700	
12	CV6230954960	Washer Special		4	8542135513300	
13	CV6233134864	Insulation		1	8522247686600	
14	CV6233050423	Snd Ins Compr		1	8542242237700	
15	CV6233134857	Heat Exch Cond Ass'y		1	8520411944100	
16	CV6233193496	Packing		1	8542237007510	
17	CV6233134932	Partition Plate Ass'y		1	85202209512H1	
18	CV6233134925	Partition Plate Ass'y		1	8520220951223	
19	CV6233134918	Packing		1	8522252870510	
20	CV6233134901	Packing		1	8522252870610	
21	CV6233134895	Packing		1	8522252870710	
22	CV6233134888	Packing		2	8542233695020	
23	CV6233134871	Accumulator Ass'y		1	8540451754701	
*	24	CV6231932165	Solenoid Valve Ass'y	STF-03U1G	1	8520450922900
*	25	CV6233134956	Sw K	ACB-4UB3002W	1	8FA0525706400
26	CV6233134949	Tube Ass'y		1	8520420771400	
27	CV6231811958	Valve Ass'y 3/8 in.		1	8540450432300	
28	CV6231859929	Elec Exp Valve Ass'y	UKV-25D46	1	8520452417400	
29	CV6231018968	Strainer Ass'y		1	8540452213100	
30	CV6233050065	Valve Ass'y 5/8 in.		1	8540450629900	
31	CV6233129358	Support valve		1	8542412933601	
32	CV6232005509	Screw Special		4	8262127017101	
33	CV6233129686	Guard		1	8542111330600	
34	CV6233129723	Support Fan Motor		2	8542251643401	
35	CV6233135014	Packing		2	8542237018310	
36	CV6233139524	Mounting Thermostat		1	8522530333801	
37	CV6233134994	Mounting Thermostat		1	8522530333511	
38	CV6233139517	Mounting Plate		1	8522238531701	
*	39	CV6233135267	Controller Ass'y	CR-CH3082-F	1	8FA0528223800
*	40	CV6233193502	P.C.B. Ass'y	POW-CH3082-B2	1	8FA0517265600

NOTE: Metal and plastic parts will be supplied basically with necessary heat insulation pads or packing. Each key number with an asterisk (*) means the recommended service parts.

ATTENTION!

To ensure correct parts supply, please let us know the following,

Part No. when you make service parts order:

1.Part No. 2.Description 3.Q'ty 4.Volts-Hz-Ph 5.Product Mode No.

CU-KE30NKU
OUTDOOR UNIT

KeyNo.	Part No.	Description	Model Number	Q'ty	Reference No.	
41	CV6233136172	P.C.B. Ass'y	HIC-CH3072R-C1-SRV	1	8549953605767	
42	CV6233136165	Diode	DBA500G-SRV	1	8549953605768	
*	43	CV6231812320	Fixed Capacitor	230V/40uF	1	1FA4C1A009200
*	44	CV6231545303	Reactor	R902A2-T	2	1FA4L5C002800
*	45	CV6233135052	Terminal Base	HP-T3041-C2F3-L1	1	1FA4J3A042800
*	46	CV6233135038	Thermistor Ass'y	TKS334B	1	8FA0525948900
*	47	CV6233135045	Thermistor Ass'y	PT2M-51H-S6-1	1	8FA0525949000
*	48	CV6233135021	Thermistor Ass'y	TKS335B	1	8FA0525949100
49	CV6233135113	Elec. Component Box Ass'y		1	8520530164401	
50	CV6233135106	Elec.Component Box		1	8522530775701	
51	CV6233135090	Cooler	A6063S-T5	1	8522412726801	
52	CV6233135083	Mounting Plate		1	8522238530311	
53	CV6231407595	Clip Wire		2	8522530416700	
54	CV6233135076	Sheet		2	8522532852300	
55	CV6231916004	Mounting Plate		1	8542236206801	
*	56	CV6233050096	Magnetic Coil	UKV-A074	1	1FA4L8A044300
*	57	CV6233135281	Magnetic Coil	STF-01AQ503UA1	1	8FA0525132700
58	CV6231696487	Mounting Thermostat		2	8522530324801	
*	59	CV6233139531	Fan Motor	SIC-71FW-D8120-4	1	1FA4M4A018800
60	CV6233129433	Support Fan Motor		1	8542251643601	
61	CV6233050263	Washer Special		4	8542135521900	
62	CV6231611497	Label		1	8542135895900	
63	CV6233135120	Propeller Fan Ass'y		1	8542253915702	
64	CV6380126705	Funa 6	SUS305-WSA	1	3927506010	
65	CV6233135229	Front Panel		1	8542111628013	
66	CV6233135212	Guard		1	8542111330510	
67	CV6233135205	Nozzle		1	8542452316210	
*	68	CV6233135199	Heater K	3269883	1	8FA0525507100
69	CV6233135182	Rear Panel		1	85421103396H2	
70	CV6233135175	Cover Plate		1	8542113343223	
71	CV6233135168	Cover Plate		1	8542234287423	
72	CV6233135151	Front Panel		1	85421116282H2	
73	CV6233193533	Elec. Wiring Diagram		1	8FA2525115200	
74	CV6233135236	Top Panel		1	85421112472H2	
75	CV6231741125	Knob		2	8542131113124	
76	CV6233162478	Badge		1	8542135433001	
77	CV6233188911	Caution Label		1	8546575944300	
78	CV6233190648	Ftc Tag		1	8526445925800	
79	CV6233189857	Badge		1	8542135433500	
80	CV6230971677	Spacer		9	8512536603800	

NOTE: Metal and plastic parts will be supplied basically with necessary heat insulation pads or packing. Each key number with an asterisk (*) means the recommended service parts.

ATTENTION!

To ensure correct parts supply, please let us know the following,

Part No. when you make service parts order:

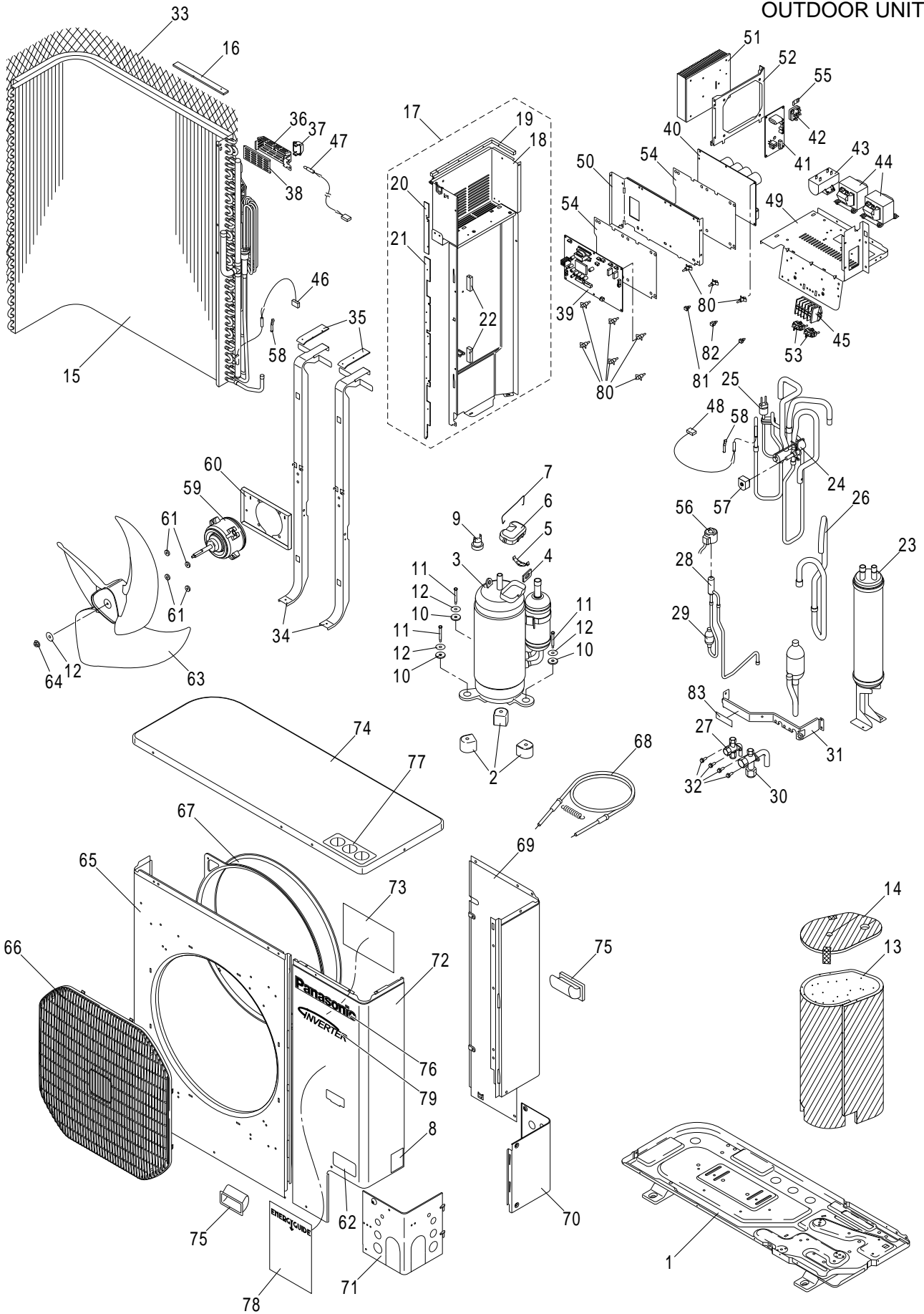
1.Part No. 2.Description 3.Q'ty 4.Volts-Hz-Ph 5.Product Mode No.

CU-KE30NKU
OUTDOOR UNIT

KeyNo.	Part No.	Description	Model Number	Q'ty	Reference No.
81	CV6230964068	Spacer		2	8512536603300
82	CV6231927949	Spacer		1	8512536607600
83	CV6233193526	Caution Label		1	8546575950500
	CV6233187099	Construction Notes		1	8526419058700

NOTE: Metal and plastic parts will be supplied basically with necessary heat insulation pads or packing.
Each key number with an asterisk (*) means the recommended service parts.

CU-KE36NKU
OUTDOOR UNIT



ATTENTION!

To ensure correct parts supply, please let us know the following,

Part No. when you make service parts order:

1.Part No. 2.Description 3.Q'ty 4.Volts-Hz-Ph 5.Product Mode No.

CU-KE36NKU
OUTDOOR UNIT

KeyNo.	Part No.	Description	Model Number	Q'ty	Reference No.	
1	CV6233134833	Bottom Plate Ass'y		1	8520220290803	
2	CV6230772564	Cushion Rubber		3	8542231813200	
3	CV6233104768	Compressor	C-9RVN273H0H	1	222BB80868380	
4	CV6231695190	Eyelet Rubber Lead Wire		1	8012530412600	
5	CV6260400222	Plate Protector	SUS301-CSP	1	8012530212500	
6	CV6260400826	Cap Terminal Cover		1	8012619510700	
7	CV6260400512	Clip		1	8012534010500	
8	CV6233136158	Label		1	8526442366100	
*	9	CV6231915793	Thermostat	CS-7L110	1	4233960062
10	CV6231834650	Spacer		3	8542234922000	
11	CV6233036656	Bolt Special		3	8542234820700	
12	CV6230954960	Washer Special		4	8542135513300	
13	CV6233134864	Insulation		1	8522247686600	
14	CV6233050423	Snd Ins Compr		1	8542242237700	
15	CV6233134857	Heat Exch Cond Ass'y		1	8520411944100	
16	CV6233193496	Packing		1	8542237007510	
17	CV6233134932	Partition Plate Ass'y		1	85202209512H1	
18	CV6233134925	Partition Plate Ass'y		1	8520220951223	
19	CV6233134918	Packing		1	8522252870510	
20	CV6233134901	Packing		1	8522252870610	
21	CV6233134895	Packing		1	8522252870710	
22	CV6233134888	Packing		2	8542233695020	
23	CV6233134871	Accumulator Ass'y		1	8540451754701	
*	24	CV6231932165	Solenoid Valve Ass'y	STF-03U1G	1	8520450922900
*	25	CV6233134956	Sw K	ACB-4UB3002W	1	8FA0525706400
26	CV6233134949	Tube Ass'y		1	8520420771400	
27	CV6231811958	Valve Ass'y 3/8 in.		1	8540450432300	
28	CV6231859929	Elec Exp Valve Ass'y	UKV-25D46	1	8520452417400	
29	CV6231018968	Strainer Ass'y		1	8540452213100	
30	CV6233050065	Valve Ass'y 5/8 in.		1	8540450629900	
31	CV6233129358	Support valve		1	8542412933601	
32	CV6232005509	Screw Special		4	8262127017101	
33	CV6233129686	Guard		1	8542111330600	
34	CV6233129723	Support Fan Motor		2	8542251643401	
35	CV6233135014	Packing		2	8542237018310	
36	CV6233139524	Mounting Thermostat		1	8522530333801	
37	CV6233134994	Mounting Thermostat		1	8522530333511	
38	CV6233139517	Mounting Plate		1	8522238531701	
*	39	CV6233135304	Controller Ass'y	CR-CH3682-F	1	8FA0528224900
*	40	CV6233193502	P.C.B. Ass'y	POW-CH3082-B2	1	8FA0517265600

NOTE: Metal and plastic parts will be supplied basically with necessary heat insulation pads or packing. Each key number with an asterisk (*) means the recommended service parts.

ATTENTION!

To ensure correct parts supply, please let us know the following,

Part No. when you make service parts order:

1.Part No. 2.Description 3.Q'ty 4.Volts-Hz-Ph 5.Product Mode No.

CU-KE36NKU
OUTDOOR UNIT

KeyNo.	Part No.	Description	Model Number	Q'ty	Reference No.	
41	CV6233136172	P.C.B. Ass'y	HIC-CH3072R-C1-SRV	1	8549953605767	
42	CV6233136165	Diode	DBA500G-SRV	1	8549953605768	
*	43	CV6231812320	Fixed Capacitor	230V/40uF	1	1FA4C1A009200
*	44	CV6231545303	Reactor	R902A2-T	2	1FA4L5C002800
*	45	CV6233135052	Terminal Base	HP-T3041-C2F3-L1	1	1FA4J3A042800
*	46	CV6233135038	Thermistor Ass'y	TKS334B	1	8FA0525948900
*	47	CV6233135045	Thermistor Ass'y	PT2M-51H-S6-1	1	8FA0525949000
*	48	CV6233135021	Thermistor Ass'y	TKS335B	1	8FA0525949100
49	CV6233135113	Elec. Component Box Ass'y		1	8520530164401	
50	CV6233135106	Elec.Component Box		1	8522530775701	
51	CV6233135090	Cooler	A6063S-T5	1	8522412726801	
52	CV6233135083	Mounting Plate		1	8522238530311	
53	CV6231407595	Clip Wire		2	8522530416700	
54	CV6233135076	Sheet		2	8522532852300	
55	CV6231916004	Mounting Plate		1	8542236206801	
*	56	CV6233050096	Magnetic Coil	UKV-A074	1	1FA4L8A044300
*	57	CV6233135281	Magnetic Coil	STF-01AQ503UA1	1	8FA0525132700
58	CV6231696487	Mounting Thermostat		2	8522530324801	
*	59	CV6233139531	Fan Motor	SIC-71FW-D8120-4	1	1FA4M4A018800
60	CV6233129433	Support Fan Motor		1	8542251643601	
61	CV6233050263	Washer Special		4	8542135521900	
62	CV6231611497	Label		1	8542135895900	
63	CV6233135120	Propeller Fan Ass'y		1	8542253915702	
64	CV6380126705	Funa 6	SUS305-WSA	1	3927506010	
65	CV6233135229	Front Panel		1	8542111628013	
66	CV6233135212	Guard		1	8542111330510	
67	CV6233135205	Nozzle		1	8542452316210	
*	68	CV6233135199	Heater K	3269883	1	8FA0525507100
69	CV6233135182	Rear Panel		1	85421103396H2	
70	CV6233135175	Cover Plate		1	8542113343223	
71	CV6233135168	Cover Plate		1	8542234287423	
72	CV6233135151	Front Panel		1	85421116282H2	
73	CV6233193533	Elec. Wiring Diagram		1	8FA2525115200	
74	CV6233135236	Top Panel		1	85421112472H2	
75	CV6231741125	Knob		2	8542131113124	
76	CV6233162478	Badge		1	8542135433001	
77	CV6233188911	Caution Label		1	8546575944300	
78	CV6233190655	Ftc Tag		1	8526445925900	
79	CV6233189857	Badge		1	8542135433500	
80	CV6230971677	Spacer		9	8512536603800	

NOTE: Metal and plastic parts will be supplied basically with necessary heat insulation pads or packing. Each key number with an asterisk (*) means the recommended service parts.

ATTENTION!

To ensure correct parts supply, please let us know the following,

Part No. when you make service parts order:

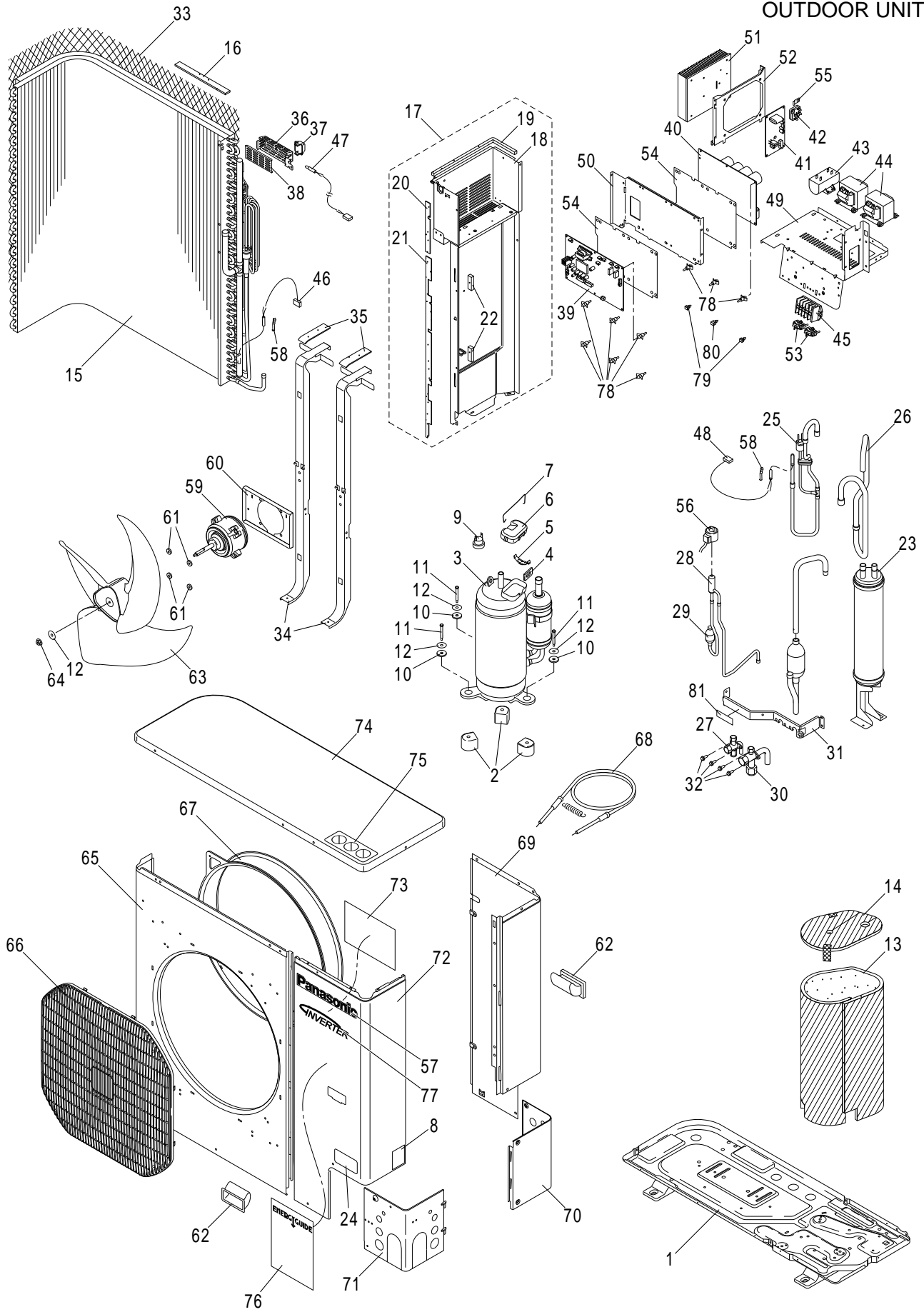
1.Part No. 2.Description 3.Q'ty 4.Volts-Hz-Ph 5.Product Mode No.

CU-KE36NKU
OUTDOOR UNIT

KeyNo.	Part No.	Description	Model Number	Q'ty	Reference No.
81	CV6230964068	Spacer		2	8512536603300
82	CV6231927949	Spacer		1	8512536607600
83	CV6233193526	Caution Label		1	8546575950500
	CV6233187099	Construction Notes		1	8526419058700

NOTE: Metal and plastic parts will be supplied basically with necessary heat insulation pads or packing.
Each key number with an asterisk (*) means the recommended service parts.

CU-KS30NKUA
OUTDOOR UNIT



ATTENTION!

To ensure correct parts supply, please let us know the following,

Part No. when you make service parts order:

1.Part No. 2.Description 3.Q'ty 4.Volts-Hz-Ph 5.Product Mode No.

CU-KS30NKUA
OUTDOOR UNIT

KeyNo.	Part No.	Description	Model Number	Q'ty	Reference No.	
1	CV6233134833	Bottom Plate Ass'y		1	8520220290803	
2	CV6230772564	Cushion Rubber		3	8542231813200	
3	CV6233104768	Compressor	C-9RVN273H0H	1	222BB80868380	
4	CV6231695190	Eyelet Rubber Lead Wire		1	8012530412600	
5	CV6260400222	Plate Protector	SUS301-CSP	1	8012530212500	
6	CV6260400826	Cap Terminal Cover		1	8012619510700	
7	CV6260400512	Clip		1	8012534010500	
8	CV6233136158	Label		1	8526442366100	
*	9	CV6231915793	Thermostat	CS-7L110	1	4233960062
10	CV6231834650	Spacer		3	8542234922000	
11	CV6233036656	Bolt Special		3	8542234820700	
12	CV6230954960	Washer Special		4	8542135513300	
13	CV6233134864	Insulation		1	8522247686600	
14	CV6233050423	Snd Ins Compr		1	8542242237700	
15	CV6233134857	Heat Exch Cond Ass'y		1	8520411944100	
16	CV6233193496	Packing		1	8542237007510	
17	CV6233134932	Partition Plate Ass'y		1	85202209512H1	
18	CV6233134925	Partition Plate Ass'y		1	8520220951223	
19	CV6233134918	Packing		1	8522252870510	
20	CV6233134901	Packing		1	8522252870610	
21	CV6233134895	Packing		1	8522252870710	
22	CV6233134888	Packing		2	8542233695020	
23	CV6233134871	Accumulator Ass'y		1	8540451754701	
24	CV6231611497	Label		1	8542135895900	
*	25	CV6233134956	Sw K	ACB-4UB3002W	1	8FA0525706400
26	CV6233134949	Tube Ass'y		1	8520420771400	
27	CV6231811958	Valve Ass'y 3/8 in.		1	8540450432300	
28	CV6231859929	Elec Exp Valve Ass'y	UKV-25D46	1	8520452417400	
29	CV6231018968	Strainer Ass'y		1	8540452213100	
30	CV6233050065	Valve Ass'y 5/8 in.		1	8540450629900	
31	CV6233129358	Support valve		1	8542412933601	
32	CV6232005509	Screw Special		4	8262127017101	
33	CV6233129686	Guard		1	8542111330600	
34	CV6233129723	Support Fan Motor		2	8542251643401	
35	CV6233135014	Packing		2	8542237018310	
36	CV6233139524	Mounting Thermostat		1	8522530333801	
37	CV6233134994	Mounting Thermostat		1	8522530333511	
38	CV6233139517	Mounting Plate		1	8522238531701	
*	39	CV6233134970	Controller Ass'y	CR-C3082-F	1	8FA0528225000
*	40	CV6233193502	P.C.B. Ass'y	POW-CH3082-B2	1	8FA0517265600

NOTE: Metal and plastic parts will be supplied basically with necessary heat insulation pads or packing. Each key number with an asterisk (*) means the recommended service parts.

ATTENTION!

To ensure correct parts supply, please let us know the following,

Part No. when you make service parts order:

1.Part No. 2.Description 3.Q'ty 4.Volts-Hz-Ph 5.Product Mode No.

CU-KS30NKUA
OUTDOOR UNIT

KeyNo.	Part No.	Description	Model Number	Q'ty	Reference No.	
41	CV6233136172	P.C.B. Ass'y	HIC-CH3072R-C1-SRV	1	8549953605767	
42	CV6233136165	Diode	DBA500G-SRV	1	8549953605768	
*	43	CV6231812320	Fixed Capacitor	230V/40uF	1	1FA4C1A009200
*	44	CV6231545303	Reactor	R902A2-T	2	1FA4L5C002800
*	45	CV6233135052	Terminal Base	HP-T3041-C2F3-L1	1	1FA4J3A042800
*	46	CV6233135038	Thermistor Ass'y	TKS334B	1	8FA0525948900
*	47	CV6233135045	Thermistor Ass'y	PT2M-51H-S6-1	1	8FA0525949000
*	48	CV6233135021	Thermistor Ass'y	TKS335B	1	8FA0525949100
	49	CV6233135113	Elec. Component Box Ass'y		1	8520530164401
	50	CV6233135106	Elec.Component Box		1	8522530775701
	51	CV6233135090	Cooler	A6063S-T5	1	8522412726801
	52	CV6233135083	Mounting Plate		1	8522238530311
	53	CV6231407595	Clip Wire		2	8522530416700
	54	CV6233135076	Sheet		2	8522532852300
	55	CV6231916004	Mounting Plate		1	8542236206801
*	56	CV6233050096	Magnetic Coil	UKV-A074	1	1FA4L8A044300
	57	CV6233162478	Badge		1	8542135433001
	58	CV6231696487	Mounting Thermostat		2	8522530324801
*	59	CV6233139531	Fan Motor	SIC-71FW-D8120-4	1	1FA4M4A018800
	60	CV6233129433	Support Fan Motor		1	8542251643601
	61	CV6233050263	Washer Special		4	8542135521900
	62	CV6231741125	Knob		2	8542131113124
	63	CV6233135120	Propeller Fan Ass'y		1	8542253915702
	64	CV6380126705	Funa 6	SUS305-WSA	1	3927506010
	65	CV6233135229	Front Panel		1	8542111628013
	66	CV6233135212	Guard		1	8542111330510
	67	CV6233135205	Nozzle		1	8542452316210
*	68	CV6233135199	Heater K	3269883	1	8FA0525507100
	69	CV6233135182	Rear Panel		1	85421103396H2
	70	CV6233135175	Cover Plate		1	8542113343223
	71	CV6233135168	Cover Plate		1	8542234287423
	72	CV6233135151	Front Panel		1	85421116282H2
	73	CV6233193519	Elec. Wiring Diagram		1	8FA2525115300
	74	CV6233135236	Top Panel		1	85421112472H2
	75	CV6233188911	Caution Label		1	8546575944300
	76	CV6233190662	Ftc Tag		1	8526445926000
	77	CV6233189857	Badge		1	8542135433500
	78	CV6230971677	Spacer		9	8512536603800
	79	CV6230964068	Spacer		2	8512536603300
	80	CV6231927949	Spacer		1	8512536607600

NOTE: Metal and plastic parts will be supplied basically with necessary heat insulation pads or packing. Each key number with an asterisk (*) means the recommended service parts.

ATTENTION!

To ensure correct parts supply, please let us know the following,

Part No. when you make service parts order:

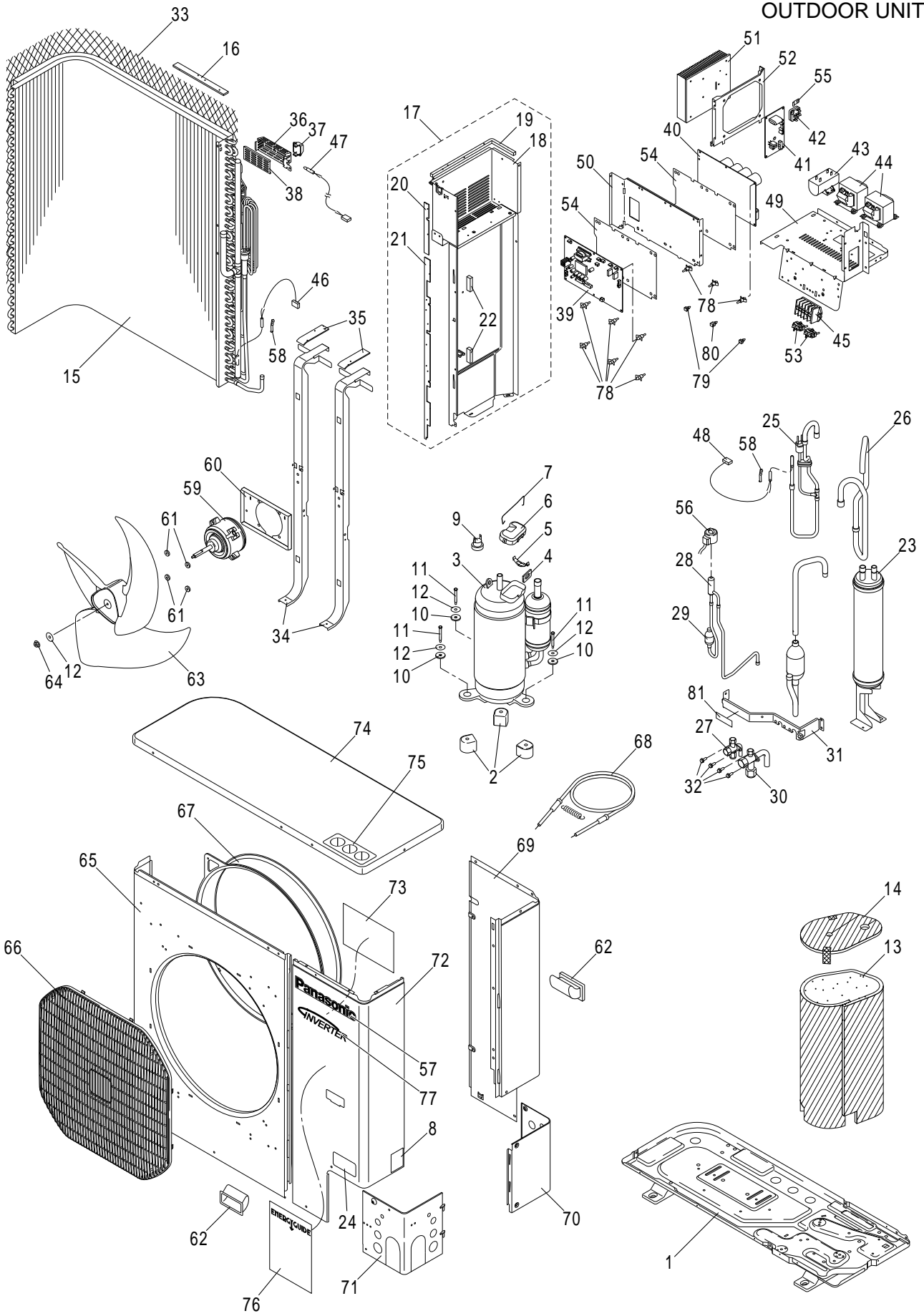
1.Part No. 2.Description 3.Q'ty 4.Volts-Hz-Ph 5.Product Mode No.

CU-KS30NKUA
OUTDOOR UNIT

KeyNo.	Part No.	Description	Model Number	Q'ty	Reference No.
81	CV6233193526	Caution Label		1	8546575950500
	CV6233187082	Construction Notes		1	8526419058600

NOTE: Metal and plastic parts will be supplied basically with necessary heat insulation pads or packing. Each key number with an asterisk (*) means the recommended service parts.

CU-KS36NKUA
OUTDOOR UNIT



ATTENTION!

To ensure correct parts supply, please let us know the following,

Part No. when you make service parts order:

1.Part No. 2.Description 3.Q'ty 4.Volts-Hz-Ph 5.Product Mode No.

CU-KS36NKUA
OUTDOOR UNIT

KeyNo.	Part No.	Description	Model Number	Q'ty	Reference No.	
1	CV6233134833	Bottom Plate Ass'y		1	8520220290803	
2	CV6230772564	Cushion Rubber		3	8542231813200	
3	CV6233104768	Compressor	C-9RVN273H0H	1	222BB80868380	
4	CV6231695190	Eyelet Rubber Lead Wire		1	8012530412600	
5	CV6260400222	Plate Protector	SUS301-CSP	1	8012530212500	
6	CV6260400826	Cap Terminal Cover		1	8012619510700	
7	CV6260400512	Clip		1	8012534010500	
8	CV6233136158	Label		1	8526442366100	
*	9	CV6231915793	Thermostat	CS-7L110	1	4233960062
10	CV6231834650	Spacer		3	8542234922000	
11	CV6233036656	Bolt Special		3	8542234820700	
12	CV6230954960	Washer Special		4	8542135513300	
13	CV6233134864	Insulation		1	8522247686600	
14	CV6233050423	Snd Ins Compr		1	8542242237700	
15	CV6233134857	Heat Exch Cond Ass'y		1	8520411944100	
16	CV6233193496	Packing		1	8542237007510	
17	CV6233134932	Partition Plate Ass'y		1	85202209512H1	
18	CV6233134925	Partition Plate Ass'y		1	8520220951223	
19	CV6233134918	Packing		1	8522252870510	
20	CV6233134901	Packing		1	8522252870610	
21	CV6233134895	Packing		1	8522252870710	
22	CV6233134888	Packing		2	8542233695020	
23	CV6233134871	Accumulator Ass'y		1	8540451754701	
24	CV6231611497	Label		1	8542135895900	
*	25	CV6233134956	Sw K	ACB-4UB3002W	1	8FA0525706400
26	CV6233134949	Tube Ass'y		1	8520420771400	
27	CV6231811958	Valve Ass'y 3/8 in.		1	8540450432300	
28	CV6231859929	Elec Exp Valve Ass'y	UKV-25D46	1	8520452417400	
29	CV6231018968	Strainer Ass'y		1	8540452213100	
30	CV6233050065	Valve Ass'y 5/8 in.		1	8540450629900	
31	CV6233129358	Support valve		1	8542412933601	
32	CV6232005509	Screw Special		4	8262127017101	
33	CV6233129686	Guard		1	8542111330600	
34	CV6233129723	Support Fan Motor		2	8542251643401	
35	CV6233135014	Packing		2	8542237018310	
36	CV6233139524	Mounting Thermostat		1	8522530333801	
37	CV6233134994	Mounting Thermostat		1	8522530333511	
38	CV6233139517	Mounting Plate		1	8522238531701	
*	39	CV6233135250	Controller Ass'y	CR-C3682-F	1	8FA0528225100
*	40	CV6233193502	P.C.B. Ass'y	POW-CH3082-B2	1	8FA0517265600

NOTE: Metal and plastic parts will be supplied basically with necessary heat insulation pads or packing. Each key number with an asterisk (*) means the recommended service parts.

ATTENTION!

To ensure correct parts supply, please let us know the following,

Part No. when you make service parts order:

1.Part No. 2.Description 3.Q'ty 4.Volts-Hz-Ph 5.Product Mode No.

CU-KS36NKUA
OUTDOOR UNIT

KeyNo.	Part No.	Description	Model Number	Q'ty	Reference No.	
41	CV6233136172	P.C.B. Ass'y	HIC-CH3072R-C1-SRV	1	8549953605767	
42	CV6233136165	Diode	DBA500G-SRV	1	8549953605768	
*	43	CV6231812320	Fixed Capacitor	230V/40uF	1	1FA4C1A009200
*	44	CV6231545303	Reactor	R902A2-T	2	1FA4L5C002800
*	45	CV6233135052	Terminal Base	HP-T3041-C2F3-L1	1	1FA4J3A042800
*	46	CV6233135038	Thermistor Ass'y	TKS334B	1	8FA0525948900
*	47	CV6233135045	Thermistor Ass'y	PT2M-51H-S6-1	1	8FA0525949000
*	48	CV6233135021	Thermistor Ass'y	TKS335B	1	8FA0525949100
	49	CV6233135113	Elec. Component Box Ass'y		1	8520530164401
	50	CV6233135106	Elec.Component Box		1	8522530775701
	51	CV6233135090	Cooler	A6063S-T5	1	8522412726801
	52	CV6233135083	Mounting Plate		1	8522238530311
	53	CV6231407595	Clip Wire		2	8522530416700
	54	CV6233135076	Sheet		2	8522532852300
	55	CV6231916004	Mounting Plate		1	8542236206801
*	56	CV6233050096	Magnetic Coil	UKV-A074	1	1FA4L8A044300
	57	CV6233162478	Badge		1	8542135433001
	58	CV6231696487	Mounting Thermostat		2	8522530324801
*	59	CV6233139531	Fan Motor	SIC-71FW-D8120-4	1	1FA4M4A018800
	60	CV6233129433	Support Fan Motor		1	8542251643601
	61	CV6233050263	Washer Special		4	8542135521900
	62	CV6231741125	Knob		2	8542131113124
	63	CV6233135120	Propeller Fan Ass'y		1	8542253915702
	64	CV6380126705	Funa 6	SUS305-WSA	1	3927506010
	65	CV6233135229	Front Panel		1	8542111628013
	66	CV6233135212	Guard		1	8542111330510
	67	CV6233135205	Nozzle		1	8542452316210
*	68	CV6233135199	Heater K	3269883	1	8FA0525507100
	69	CV6233135182	Rear Panel		1	85421103396H2
	70	CV6233135175	Cover Plate		1	8542113343223
	71	CV6233135168	Cover Plate		1	8542234287423
	72	CV6233135151	Front Panel		1	85421116282H2
	73	CV6233193519	Elec. Wiring Diagram		1	8FA2525115300
	74	CV6233135236	Top Panel		1	85421112472H2
	75	CV6233188911	Caution Label		1	8546575944300
	76	CV6233190679	Ftc Tag		1	8526445926100
	77	CV6233189857	Badge		1	8542135433500
	78	CV6230971677	Spacer		9	8512536603800
	79	CV6230964068	Spacer		2	8512536603300
	80	CV6231927949	Spacer		1	8512536607600

NOTE: Metal and plastic parts will be supplied basically with necessary heat insulation pads or packing. Each key number with an asterisk (*) means the recommended service parts.

ATTENTION!

To ensure correct parts supply, please let us know the following,

Part No. when you make service parts order:

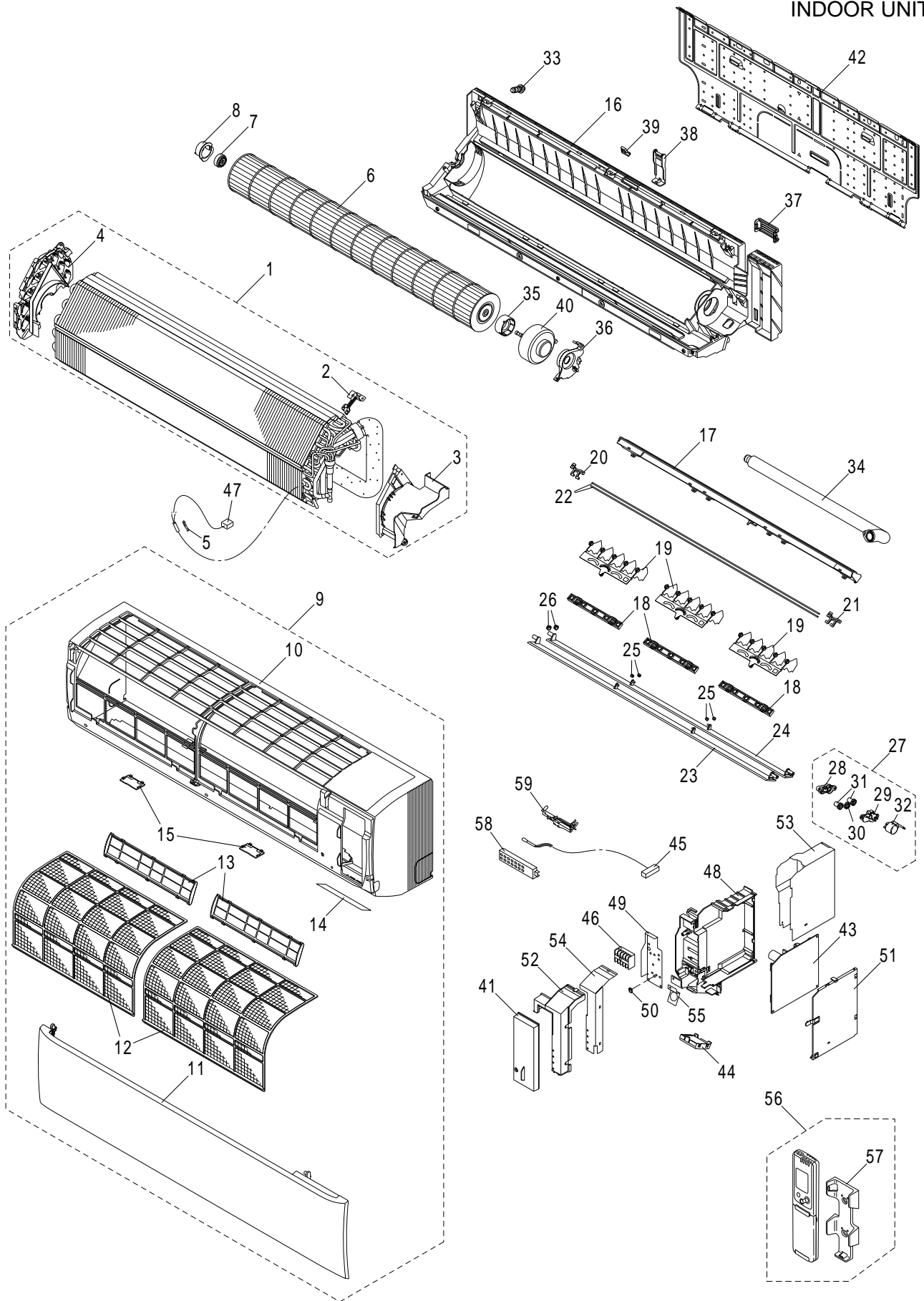
1.Part No. 2.Description 3.Q'ty 4.Volts-Hz-Ph 5.Product Mode No.

CU-KS36NKUA
OUTDOOR UNIT

KeyNo.	Part No.	Description	Model Number	Q'ty	Reference No.
81	CV6233193526	Caution Label		1	8546575950500
	CV6233187082	Construction Notes		1	8526419058600

NOTE: Metal and plastic parts will be supplied basically with necessary heat insulation pads or packing. Each key number with an asterisk (*) means the recommended service parts.

CS-KS30NKU
INDOOR UNIT



ATTENTION!

To ensure correct parts supply, please let us know the following,

Part No. when you make service parts order:

1.Part No. 2.Description 3.Q'ty 4.Volts-Hz-Ph 5.Product Mode No.

CS-KS30NKU
INDOOR UNIT

KeyNo.	Part No.	Description	Model Number	Q'ty	Reference No.	
1	CV6233135366	Evaporator Ass'y		1	8520412028100	
2	CV6233135359	Mounting Plate		1	8522238529601	
3	CV6233135342	Mounting Plate Ass'y		1	8520221720200	
4	CV6233135335	Mounting, Tube		1	8522236232411	
5	CV6231485876	Mounting Thermostat		1	8522530322401	
*	6	CV6233135328	Cross-Flow Fan Ass'y	1	8520250930600	
*	7	CV6231718318	Bearing Housing Ass'y	1	8520251013200	
8	CV6233135311	Cover Rubber		1	8522251421911	
9	CV6233190587	Grille Ass'y		1	8520150194200	
10	CV6233135434	Grille		1	8522150155711	
11	CV6233166674	Ornamental Plate		1	8522151642312	
12	CV6233190570	Air Filter Ass'y		2	8520230739401	
13	CV6233135403	Mounting Filter		2	8522230639211	
14	CV6233190563	Indicator Plate		1	8522130825306	
15	CV6233135380	Cover		2	8522251534911	
16	CV6233135373	Frame Ass'y		1	8520220150300	
17	CV6233135526	Guide Air Defl		1	8522236020211	
18	CV6233135519	Mounting Blade		3	8522247821611	
19	CV6233135502	Blade		3	8522151937511	
20	CV6233135496	Mounting		1	8522151479011	
21	CV6233135489	Mounting		1	8522151479111	
22	CV6233135472	Wire	SWP-A	2	8522131543401	
23	CV6233135465	Flap		1	8522152332311	
24	CV6233135458	Flap		1	8522152332411	
25	CV6231299640	Mounting		4	8522151444001	
26	CV6231918879	Mounting		2	8522151452002	
27	CV6233135588	Gear Ass'y		1	8520223116700	
28	CV6233135571	Mounting		1	8522151478411	
29	CV6233135564	Cover		1	8522251534711	
30	CV6233135557	Gear		1	8522133118901	
31	CV6233135540	Gear		2	8522133119001	
*	32	CV6233135533	Step Motor	24BYJ48-1256	1	1FA4M3A008200
33	CV6231718363	Cap, Drain Pan		1	8522234812401	
34	CV6233135656	Drain Hose Ass'y		1	8520130329900	
35	CV6233135649	Mounting Plate, Fan Motor		1	8522235435711	
36	CV6233135632	Mounting Plate, Fan Motor		1	8522235435811	
37	CV6233135625	Mounting, Tube		1	8522236232511	
38	CV6233135618	Mounting, Tube		1	8522236232611	
39	CV6233135601	Mounting		1	8522151478911	
*	40	CV6233166698	Fan Motor	SIC-41CVJ-D847-1	1	1FA4M5B010300

NOTE: Metal and plastic parts will be supplied basically with necessary heat insulation pads or packing. Each key number with an asterisk (*) means the recommended service parts.

ATTENTION!

To ensure correct parts supply, please let us know the following,

Part No. when you make service parts order:

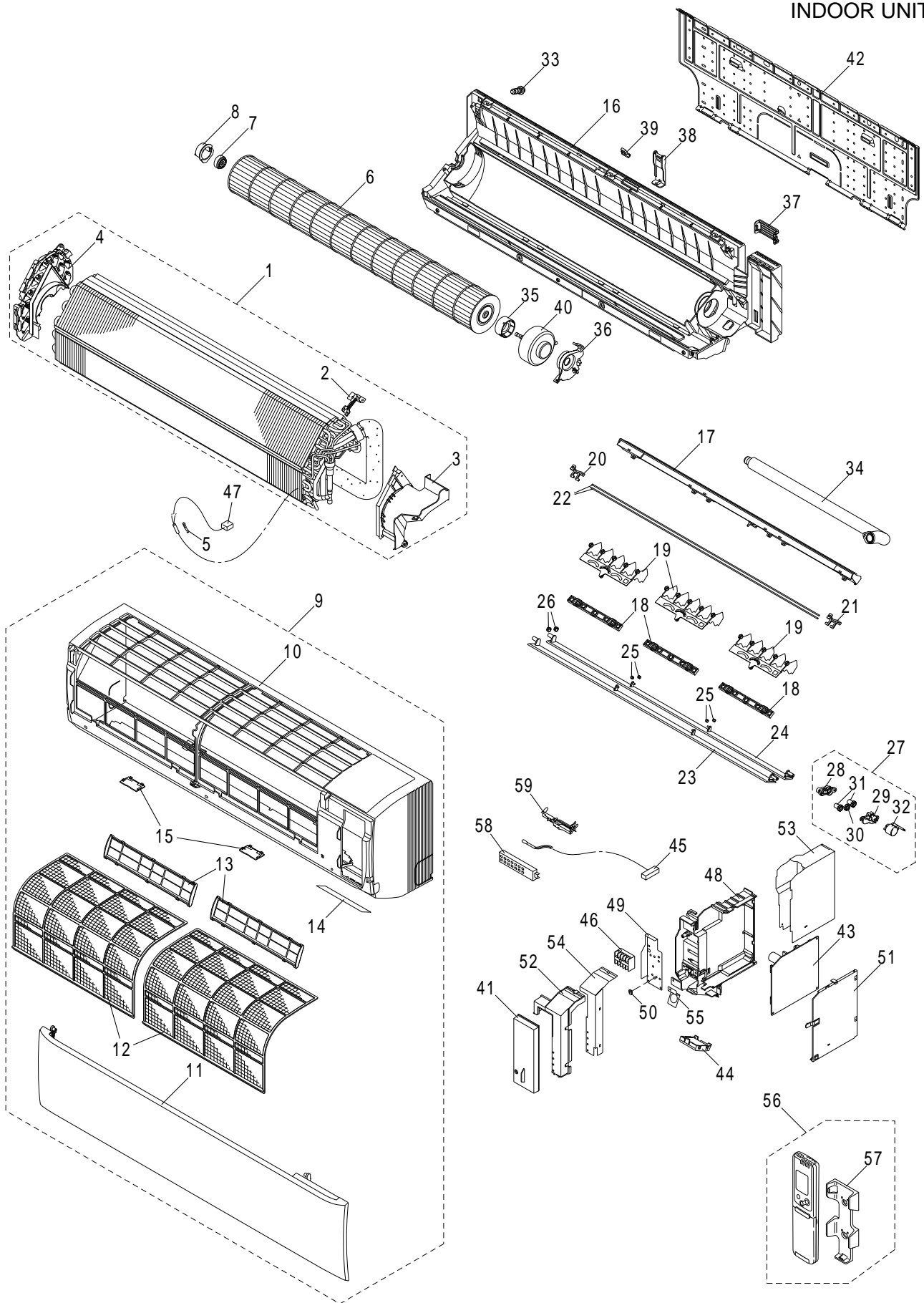
1.Part No. 2.Description 3.Q'ty 4.Volts-Hz-Ph 5.Product Mode No.

CS-KS30NKU
INDOOR UNIT

KeyNo.	Part No.	Description	Model Number	Q'ty	Reference No.	
41	CV6233135731	Terminal Cover Ass'y		1	8520530908600	
42	CV6233135724	Rear Panel		1	8522223024501	
*	43	CV6233190631	Circuit Board Ass'y	CB-CS-KS30NKUA	1	8FA0518190200
*	44	CV6233135700	Indicator Lamp Ass'y	IND-KHS3682	1	8FA0516108800
*	45	CV6233190594	Thermistor	KTEC-35-135-1	1	1FA4V2E054900
	46	CV6233135687	Terminal Base		1	8FA0526600400
*	47	CV6233135670	Thermistor	PT2M-51H-S6-1	1	1FA4V2E048100
	48	CV6233135663	Elec.Component Box		1	8522530775611
	49	CV6233135809	Mounting Plate		1	8522238529701
	50	CV6280622277	Csa Washer	C2801P-O	1	8522238910100
	51	CV6233135793	Cover,Elec.Component Box		1	8522531552211
	52	CV6233135786	Cover,Elec.Component Box		1	8522531552311
	53	CV6233135779	Cover Plate		1	8522530944201
	54	CV6233135762	Cover Plate		1	8522530944301
	55	CV6233135755	Angle Terminal		1	8522530637001
*	56	CV6233187143	Remote Control Switch	PRCS-8VPULS4U	1	8FA0005458000
	57	CV6233003573	Holder		1	8512537707701
	58	CV6231856935	Cover		1	8522251530001
	59	CV6231857192	Mounting Thermostat		1	8522530331001
		CV6233187105	Operation Manual		1	8526418122000

NOTE: Metal and plastic parts will be supplied basically with necessary heat insulation pads or packing.
Each key number with an asterisk (*) means the recommended service parts.

CS-KS36NKU
INDOOR UNIT



ATTENTION!

To ensure correct parts supply, please let us know the following,

Part No. when you make service parts order:

1.Part No. 2.Description 3.Q'ty 4.Volts-Hz-Ph 5.Product Mode No.

CS-KS36NKU
INDOOR UNIT

KeyNo.	Part No.	Description	Model Number	Q'ty	Reference No.	
1	CV6233135366	Evaporator Ass'y		1	8520412028100	
2	CV6233135359	Mounting Plate		1	8522238529601	
3	CV6233135342	Mounting Plate Ass'y		1	8520221720200	
4	CV6233135335	Mounting, Tube		1	8522236232411	
5	CV6231485876	Mounting Thermostat		1	8522530322401	
*	6	CV6233135328	Cross-Flow Fan Ass'y	1	8520250930600	
*	7	CV6231718318	Bearing Housing Ass'y	1	8520251013200	
8	CV6233135311	Cover Rubber		1	8522251421911	
9	CV6233190587	Grille Ass'y		1	8520150194200	
10	CV6233135434	Grille		1	8522150155711	
11	CV6233166674	Ornamental Plate		1	8522151642312	
12	CV6233190570	Air Filter Ass'y		2	8520230739401	
13	CV6233135403	Mounting Filter		2	8522230639211	
14	CV6233190563	Indicator Plate		1	8522130825306	
15	CV6233135380	Cover		2	8522251534911	
16	CV6233135373	Frame Ass'y		1	8520220150300	
17	CV6233135526	Guide Air Defl		1	8522236020211	
18	CV6233135519	Mounting Blade		3	8522247821611	
19	CV6233135502	Blade		3	8522151937511	
20	CV6233135496	Mounting		1	8522151479011	
21	CV6233135489	Mounting		1	8522151479111	
22	CV6233135472	Wire	SWP-A	2	8522131543401	
23	CV6233135465	Flap		1	8522152332311	
24	CV6233135458	Flap		1	8522152332411	
25	CV6231299640	Mounting		4	8522151444001	
26	CV6231918879	Mounting		2	8522151452002	
27	CV6233135588	Gear Ass'y		1	8520223116700	
28	CV6233135571	Mounting		1	8522151478411	
29	CV6233135564	Cover		1	8522251534711	
30	CV6233135557	Gear		1	8522133118901	
31	CV6233135540	Gear		2	8522133119001	
*	32	CV6233135533	Step Motor	24BYJ48-1256	1	1FA4M3A008200
33	CV6231718363	Cap, Drain Pan		1	8522234812401	
34	CV6233135656	Drain Hose Ass'y		1	8520130329900	
35	CV6233135649	Mounting Plate, Fan Motor		1	8522235435711	
36	CV6233135632	Mounting Plate, Fan Motor		1	8522235435811	
37	CV6233135625	Mounting, Tube		1	8522236232511	
38	CV6233135618	Mounting, Tube		1	8522236232611	
39	CV6233135601	Mounting		1	8522151478911	
*	40	CV6233166698	Fan Motor	SIC-41CVJ-D847-1	1	1FA4M5B010300

NOTE: Metal and plastic parts will be supplied basically with necessary heat insulation pads or packing. Each key number with an asterisk (*) means the recommended service parts.

ATTENTION!

To ensure correct parts supply, please let us know the following,

Part No. when you make service parts order:

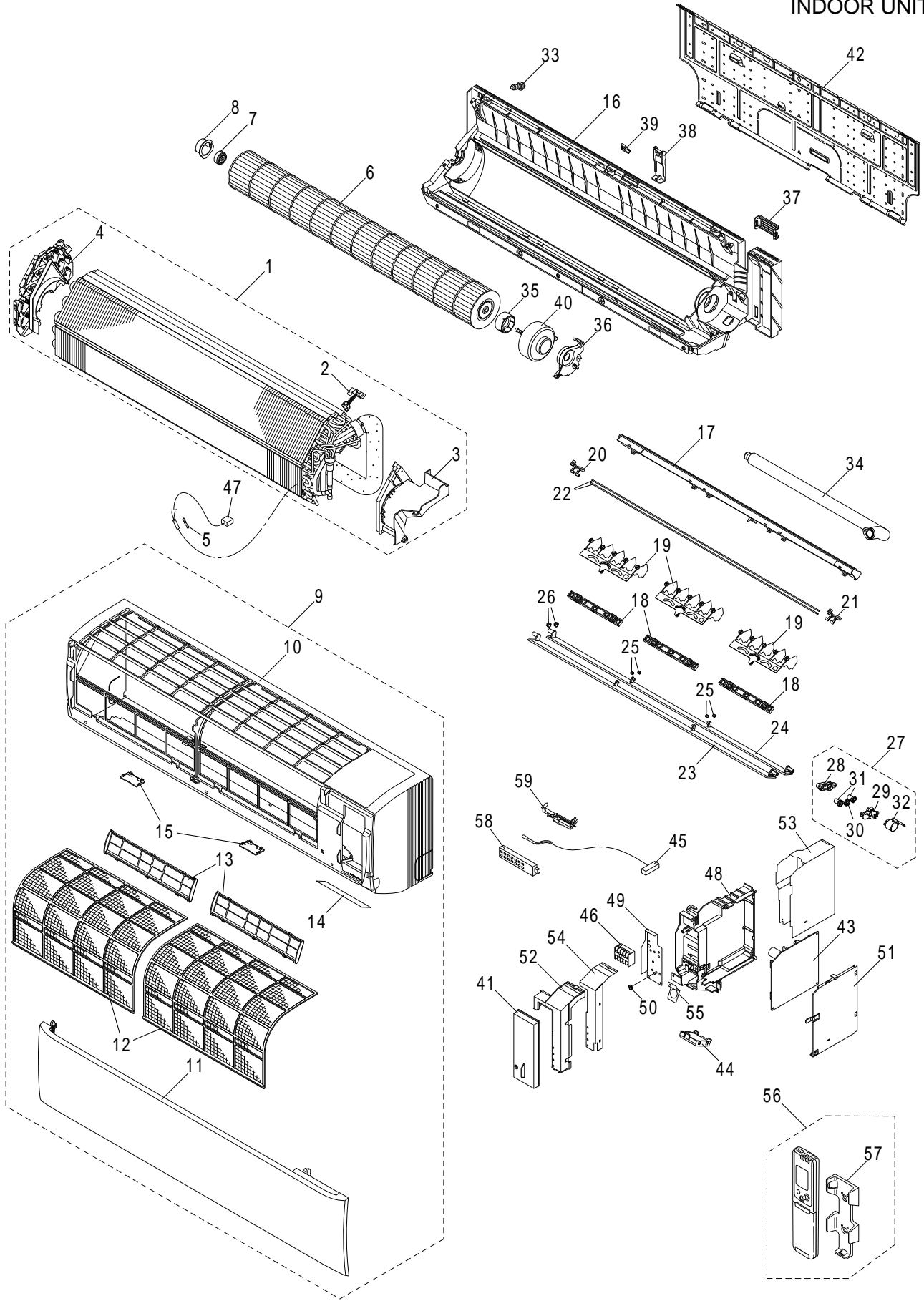
1.Part No. 2.Description 3.Q'ty 4.Volts-Hz-Ph 5.Product Mode No.

CS-KS36NKU
INDOOR UNIT

KeyNo.	Part No.	Description	Model Number	Q'ty	Reference No.	
41	CV6233135731	Terminal Cover Ass'y		1	8520530908600	
42	CV6233135724	Rear Panel		1	852223024501	
*	43	CV6233190624	Circuit Board Ass'y	CB-CS-KS36NKUA	1	8FA0518190300
*	44	CV6233135700	Indicator Lamp Ass'y	IND-KHS3682	1	8FA0516108800
*	45	CV6233190594	Thermistor	KTEC-35-135-1	1	1FA4V2E054900
46	CV6233135687	Terminal Base		1	8FA0526600400	
*	47	CV6233135670	Thermistor	PT2M-51H-S6-1	1	1FA4V2E048100
48	CV6233135663	Elec.Component Box		1	8522530775611	
49	CV6233135809	Mounting Plate		1	8522238529701	
50	CV6280622277	Csa Washer	C2801P-O	1	8522238910100	
51	CV6233135793	Cover,Elec.Component Box		1	8522531552211	
52	CV6233135786	Cover,Elec.Component Box		1	8522531552311	
53	CV6233135779	Cover Plate		1	8522530944201	
54	CV6233135762	Cover Plate		1	8522530944301	
55	CV6233135755	Angle Terminal		1	8522530637001	
*	56	CV6233187143	Remote Control Switch	PRCS-8VPULS4U	1	8FA0005458000
57	CV6233003573	Holder		1	8512537707701	
58	CV6231856935	Cover		1	8522251530001	
59	CV6231857192	Mounting Thermostat		1	8522530331001	
	CV6233187105	Operation Manual		1	8526418122000	

NOTE: Metal and plastic parts will be supplied basically with necessary heat insulation pads or packing. Each key number with an asterisk (*) means the recommended service parts.

CS-KE30NKU
INDOOR UNIT



ATTENTION!

To ensure correct parts supply, please let us know the following,

Part No. when you make service parts order:

1.Part No. 2.Description 3.Q'ty 4.Volts-Hz-Ph 5.Product Mode No.

CS-KE30NKU
INDOOR UNIT

KeyNo.	Part No.	Description	Model Number	Q'ty	Reference No.	
1	CV6233135366	Evaporator Ass'y		1	8520412028100	
2	CV6233135359	Mounting Plate		1	8522238529601	
3	CV6233135342	Mounting Plate Ass'y		1	8520221720200	
4	CV6233135335	Mounting, Tube		1	8522236232411	
5	CV6231485876	Mounting Thermostat		1	8522530322401	
*	6	CV6233135328	Cross-Flow Fan Ass'y	1	8520250930600	
*	7	CV6231718318	Bearing Housing Ass'y	1	8520251013200	
8	CV6233135311	Cover Rubber		1	8522251421911	
9	CV6233190587	Grille Ass'y		1	8520150194200	
10	CV6233135434	Grille		1	8522150155711	
11	CV6233166674	Ornamental Plate		1	8522151642312	
12	CV6233190570	Air Filter Ass'y		2	8520230739401	
13	CV6233135403	Mounting Filter		2	8522230639211	
14	CV6233190563	Indicator Plate		1	8522130825306	
15	CV6233135380	Cover		2	8522251534911	
16	CV6233135373	Frame Ass'y		1	8520220150300	
17	CV6233135526	Guide Air Defl		1	8522236020211	
18	CV6233135519	Mounting Blade		3	8522247821611	
19	CV6233135502	Blade		3	8522151937511	
20	CV6233135496	Mounting		1	8522151479011	
21	CV6233135489	Mounting		1	8522151479111	
22	CV6233135472	Wire	SWP-A	2	8522131543401	
23	CV6233135465	Flap		1	8522152332311	
24	CV6233135458	Flap		1	8522152332411	
25	CV6231299640	Mounting		4	8522151444001	
26	CV6231918879	Mounting		2	8522151452002	
27	CV6233135588	Gear Ass'y		1	8520223116700	
28	CV6233135571	Mounting		1	8522151478411	
29	CV6233135564	Cover		1	8522251534711	
30	CV6233135557	Gear		1	8522133118901	
31	CV6233135540	Gear		2	8522133119001	
*	32	CV6233135533	Step Motor	24BYJ48-1256	1	1FA4M3A008200
33	CV6231718363	Cap, Drain Pan		1	8522234812401	
34	CV6233135656	Drain Hose Ass'y		1	8520130329900	
35	CV6233135649	Mounting Plate, Fan Motor		1	8522235435711	
36	CV6233135632	Mounting Plate, Fan Motor		1	8522235435811	
37	CV6233135625	Mounting, Tube		1	8522236232511	
38	CV6233135618	Mounting, Tube		1	8522236232611	
39	CV6233135601	Mounting		1	8522151478911	
*	40	CV6233166698	Fan Motor	SIC-41CVJ-D847-1	1	1FA4M5B010300

NOTE: Metal and plastic parts will be supplied basically with necessary heat insulation pads or packing. Each key number with an asterisk (*) means the recommended service parts.

ATTENTION!

To ensure correct parts supply, please let us know the following,

Part No. when you make service parts order:

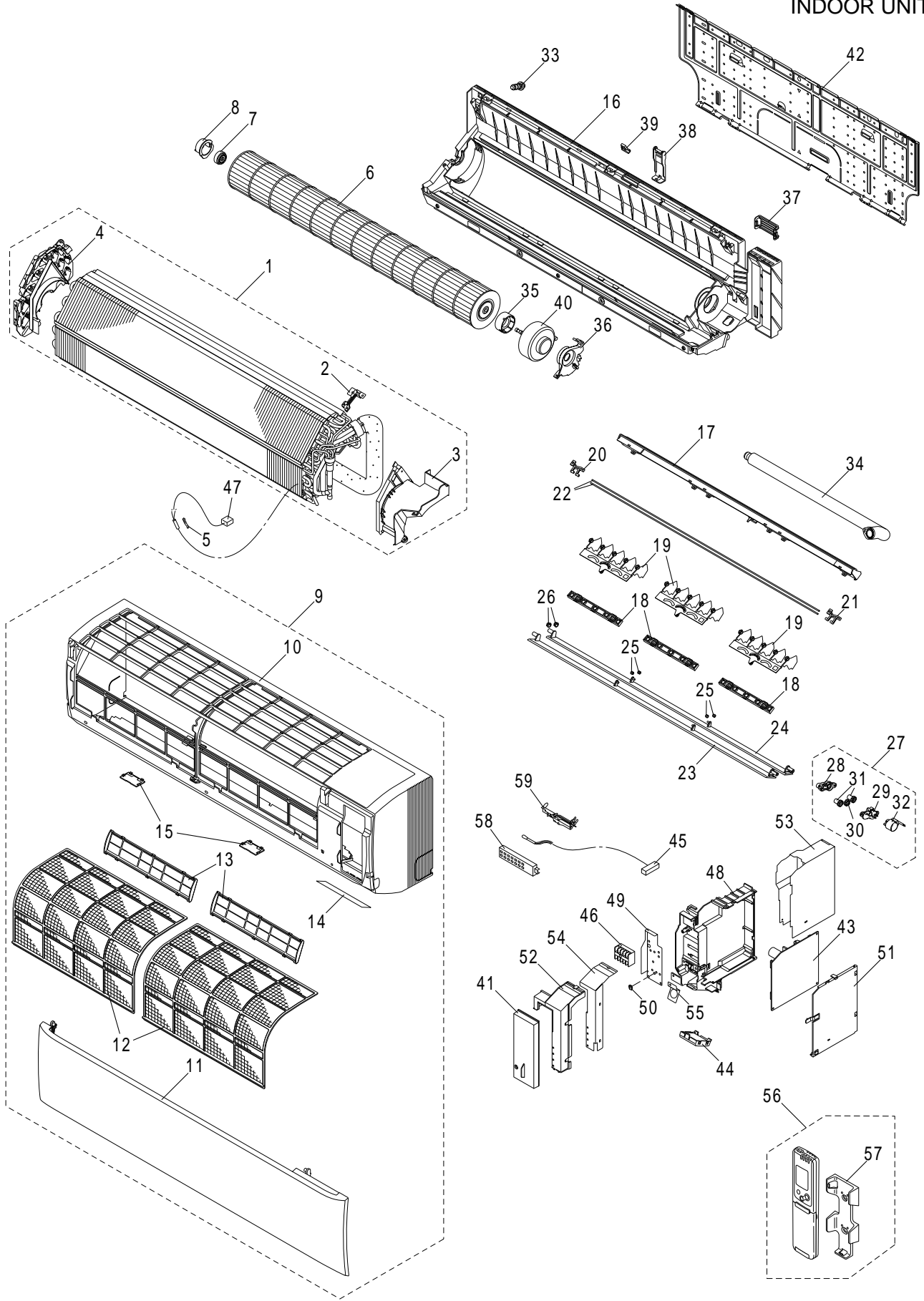
1.Part No. 2.Description 3.Q'ty 4.Volts-Hz-Ph 5.Product Mode No.

CS-KE30NKU
INDOOR UNIT

KeyNo.	Part No.	Description	Model Number	Q'ty	Reference No.	
41	CV6233135731	Terminal Cover Ass'y		1	8520530908600	
42	CV6233135724	Rear Panel		1	8522223024501	
*	43	CV6233190600	Circuit Board Ass'y	CB-CS-KE30NKU	1	8FA0518190400
*	44	CV6233135700	Indicator Lamp Ass'y	IND-KHS3682	1	8FA0516108800
*	45	CV6233190594	Thermistor	KTEC-35-135-1	1	1FA4V2E054900
	46	CV6233135687	Terminal Base		1	8FA0526600400
*	47	CV6233135670	Thermistor	PT2M-51H-S6-1	1	1FA4V2E048100
	48	CV6233135663	Elec.Component Box		1	8522530775611
	49	CV6233135809	Mounting Plate		1	8522238529701
	50	CV6280622277	Csa Washer	C2801P-O	1	8522238910100
	51	CV6233135793	Cover,Elec.Component Box		1	8522531552211
	52	CV6233135786	Cover,Elec.Component Box		1	8522531552311
	53	CV6233135779	Cover Plate		1	8522530944201
	54	CV6233135762	Cover Plate		1	8522530944301
	55	CV6233135755	Angle Terminal		1	8522530637001
*	56	CV6233187136	Remote Control Switch	PRCS-8HVPULS4U	1	8FA0005458100
	57	CV6233003573	Holder		1	8512537707701
	58	CV6231856935	Cover		1	8522251530001
	59	CV6231857192	Mounting Thermostat		1	8522530331001
		CV6233187112	Operation Manual		1	8526418122100

NOTE: Metal and plastic parts will be supplied basically with necessary heat insulation pads or packing.
Each key number with an asterisk (*) means the recommended service parts.

CS-KE36NKU
INDOOR UNIT



ATTENTION!

To ensure correct parts supply, please let us know the following,

Part No. when you make service parts order:

1.Part No. 2.Description 3.Q'ty 4.Volts-Hz-Ph 5.Product Mode No.

CS-KE36NKU
INDOOR UNIT

KeyNo.	Part No.	Description	Model Number	Q'ty	Reference No.	
1	CV6233135366	Evaporator Ass'y		1	8520412028100	
2	CV6233135359	Mounting Plate		1	8522238529601	
3	CV6233135342	Mounting Plate Ass'y		1	8520221720200	
4	CV6233135335	Mounting, Tube		1	8522236232411	
5	CV6231485876	Mounting Thermostat		1	8522530322401	
*	6	CV6233135328	Cross-Flow Fan Ass'y	1	8520250930600	
*	7	CV6231718318	Bearing Housing Ass'y	1	8520251013200	
8	CV6233135311	Cover Rubber		1	8522251421911	
9	CV6233190587	Grille Ass'y		1	8520150194200	
10	CV6233135434	Grille		1	8522150155711	
11	CV6233166674	Ornamental Plate		1	8522151642312	
12	CV6233190570	Air Filter Ass'y		2	8520230739401	
13	CV6233135403	Mounting Filter		2	8522230639211	
14	CV6233190563	Indicator Plate		1	8522130825306	
15	CV6233135380	Cover		2	8522251534911	
16	CV6233135373	Frame Ass'y		1	8520220150300	
17	CV6233135526	Guide Air Defl		1	8522236020211	
18	CV6233135519	Mounting Blade		3	8522247821611	
19	CV6233135502	Blade		3	8522151937511	
20	CV6233135496	Mounting		1	8522151479011	
21	CV6233135489	Mounting		1	8522151479111	
22	CV6233135472	Wire	SWP-A	2	8522131543401	
23	CV6233135465	Flap		1	8522152332311	
24	CV6233135458	Flap		1	8522152332411	
25	CV6231299640	Mounting		4	8522151444001	
26	CV6231918879	Mounting		2	8522151452002	
27	CV6233135588	Gear Ass'y		1	8520223116700	
28	CV6233135571	Mounting		1	8522151478411	
29	CV6233135564	Cover		1	8522251534711	
30	CV6233135557	Gear		1	8522133118901	
31	CV6233135540	Gear		2	8522133119001	
*	32	CV6233135533	Step Motor	24BYJ48-1256	1	1FA4M3A008200
33	CV6231718363	Cap, Drain Pan		1	8522234812401	
34	CV6233135656	Drain Hose Ass'y		1	8520130329900	
35	CV6233135649	Mounting Plate, Fan Motor		1	8522235435711	
36	CV6233135632	Mounting Plate, Fan Motor		1	8522235435811	
37	CV6233135625	Mounting, Tube		1	8522236232511	
38	CV6233135618	Mounting, Tube		1	8522236232611	
39	CV6233135601	Mounting		1	8522151478911	
*	40	CV6233166698	Fan Motor	SIC-41CVJ-D847-1	1	1FA4M5B010300

NOTE: Metal and plastic parts will be supplied basically with necessary heat insulation pads or packing. Each key number with an asterisk (*) means the recommended service parts.

ATTENTION!

To ensure correct parts supply, please let us know the following,

Part No. when you make service parts order:

1.Part No. 2.Description 3.Q'ty 4.Volts-Hz-Ph 5.Product Mode No.

CS-KE36NKU
INDOOR UNIT

KeyNo.	Part No.	Description	Model Number	Q'ty	Reference No.	
41	CV6233135731	Terminal Cover Ass'y		1	8520530908600	
42	CV6233135724	Rear Panel		1	8522223024501	
*	43	CV6233190617	Circuit Board Ass'y	CB-CS-KE36NKU	1	8FA0518190500
*	44	CV6233135700	Indicator Lamp Ass'y	IND-KHS3682	1	8FA0516108800
*	45	CV6233190594	Thermistor	KTEC-35-135-1	1	1FA4V2E054900
	46	CV6233135687	Terminal Base		1	8FA0526600400
*	47	CV6233135670	Thermistor	PT2M-51H-S6-1	1	1FA4V2E048100
	48	CV6233135663	Elec.Component Box		1	8522530775611
	49	CV6233135809	Mounting Plate		1	8522238529701
	50	CV6280622277	Csa Washer	C2801P-O	1	8522238910100
	51	CV6233135793	Cover,Elec.Component Box		1	8522531552211
	52	CV6233135786	Cover,Elec.Component Box		1	8522531552311
	53	CV6233135779	Cover Plate		1	8522530944201
	54	CV6233135762	Cover Plate		1	8522530944301
	55	CV6233135755	Angle Terminal		1	8522530637001
*	56	CV6233187136	Remote Control Switch	PRCS-8HVPULS4U	1	8FA0005458100
	57	CV6233003573	Holder		1	8512537707701
	58	CV6231856935	Cover		1	8522251530001
	59	CV6231857192	Mounting Thermostat		1	8522530331001
		CV6233187112	Operation Manual		1	8526418122100

NOTE: Metal and plastic parts will be supplied basically with necessary heat insulation pads or packing.
Each key number with an asterisk (*) means the recommended service parts.